



# Models 585C & 588C Pulsed/CW Microwave Frequency Counters

## Operation Manual

585C CCN 5101-5104  
588C CCN 5001-5003

Manual Assy. Part Number: 5585065-05  
Manual Text Part Number: 5580487-05  
Printed in USA, Sept. 2008



---

---

## **Warranty**

Phase Matrix, Inc. warrants this product to be free from defects in material and workmanship for one year from the date of delivery. Damage due to accident, abuse, or improper signal level is not covered by the warranty. Removal, defacement, or alteration of any serial or inspection label, marking, or seal may void the warranty. Phase Matrix, Inc. will repair or replace, at its option, any components of this product which prove to be defective during the warranty period, provided the entire unit is returned to Phase Matrix, Inc. or an authorized service facility. In-warranty units will be returned freight prepaid; out-of-warranty units will be returned freight COLLECT. No warranty other than the above is expressed or implied.

## **Certification**

Phase Matrix, Inc. certifies this instrument to be in conformance with the specifications noted herein at time of shipment from the factory. Phase Matrix, Inc. further certifies that its calibration measurements are traceable to the United States National Institute of Standards and Technology.

## **Manual Change Information**

As Phase Matrix, Inc. continually improves and updates its products, changes to the material covered by the manual will occur. When a part or assembly in an Phase Matrix, Inc. instrument is changed to the extent that it is no longer interchangeable with the earlier part, the configuration control number (CCN) of the instrument, shown on the title page of the manual, will change, and a new edition of the manual will be published.

To maintain the technical accuracy of the manual, it may be necessary to provide new or additional information with the manual. In these cases, the manual is shipped with a Manual Update. Please be sure to incorporate the information as instructed in the Manual Update.



## SAFETY

The Phase Matrix 585C & 588C are designed and tested according to international safety requirements, but as with all electronic equipment, certain precautions must be observed. This manual contains information, cautions, and warnings that must be followed to prevent the possibility of personal injury and/or damage to the instrument.

## SAFETY AND HAZARD SYMBOLS

### WARNING

---

**A WARNING denotes a hazard to personnel. It calls attention to a procedure or practice, which, if not correctly performed or adhered to, could result in personal injury.**

---

### CAUTION

---

**A CAUTION denotes a hazard to the equipment. It calls attention to an operating procedure or practice, which, if not correctly performed or adhered to, could result in damage to or destruction of part or all of the product.**

---



This is a general warning that appears whenever care is necessary to prevent damage to the equipment.



Dangerous Voltage



Toxic Substance



Static-Sensitive Component



Fire Hazard

---

---

## OVERALL SAFETY CONSIDERATIONS



### WARNING

---

Before this instrument is switched on, its protective earth terminals *must* be connected to the AC power cord's protective conductor. The main plug *must* only be inserted in a socket/outlet that has a protective earth contact. The protective action must not be negated by using an extension cord (power cable) or adapter that does not have a protective earth (grounding) conductor.

---

### WARNING

---



Use only fuses of the type specified with the required current and voltage ratings. *Never* use repaired fuses or short-circuited fuseholders, as doing so causes a shock and/or fire hazard.

---

### WARNING

---



Whenever it is likely that electrical protection is impaired, the instrument *must* be made inoperative and be secured against any unintended operation.

---

### WARNING

---



All protective earth terminals, extension cords, autotransformers, and other devices connected to this instrument *must* be connected to a socket/outlet that has a protective earth contact. Any interruption of the protection causes a potential shock hazard that can result in personal injury.

---

### WARNING

---



The power supply is energized whenever AC power is connected to this instrument. Disconnect the AC power cord before removing the covers to prevent electrical shock. Internal adjustments or servicing that must be done with the AC power cord connected must be performed only by qualified personnel.

---



WARNING \_\_\_\_\_



Since the power supply filter capacitors may remain charged after the AC power cord is disconnected from the equipment, disconnecting the power cord does not ensure that there is no electrical shock hazard.

---

WARNING \_\_\_\_\_



Some of the components used in this instrument contain resins and other chemicals that give off toxic fumes if burned. Be sure to dispose of these items properly.

---

WARNING \_\_\_\_\_



Beryllia (beryllium oxide) is used in the construction of the YTF assembly. This material, if handled incorrectly, can pose a health hazard. **NEVER** disassemble the microwave converter assembly.

---

CAUTION \_\_\_\_\_



Static sensitive components are used in the YTF assembly. These components can be damaged if handled incorrectly.

---

CAUTION \_\_\_\_\_



Before connecting power to the instrument, ensure that the correct fuse is installed and the voltage-selection switch on the instrument's rear panel is set properly. Refer to Section 2, *Installation*.

---

CAUTION \_\_\_\_\_



Excessive signal levels can damage this instrument. To prevent damage, do not exceed the specified damage level. Refer to the instrument specifications in Section 1 of this manual.

---

---

---

## TABLE OF CONTENTS

WARRANTY . . . . .	. iii
CERTIFICATION . . . . .	. iii
MANUAL CHANGE INFORMATION . . . . .	. iii
SAFETY . . . . .	. iv
SAFETY AND HAZARD SYMBOLS . . . . .	. iv
OVERALL SAFETY CONSIDERATIONS . . . . .	. v

### SECTION 1: GENERAL INFORMATION

INTRODUCTION . . . . .	1-1
OPERATING CONDITIONS . . . . .	1-2
VENTILATION . . . . .	1-2
STORAGE . . . . .	1-2
SPECIFICATIONS . . . . .	1-2

### SECTION 2: INSTALLATION

UNPACKING . . . . .	2-1
INSTALLATION . . . . .	2-1
FUSE REPLACEMENT . . . . .	2-2
VOLTAGE SELECTION . . . . .	2-3
INCOMING OPERATIONAL CHECKOUT . . . . .	2-3
SERVICE INFORMATION . . . . .	2-4
PERIODIC MAINTENANCE . . . . .	2-4
COUNTER IDENTIFICATION . . . . .	2-4
FACTORY SERVICE . . . . .	2-5
SHIPPING INSTRUCTIONS . . . . .	2-5

### SECTION 3: OPERATION

INTRODUCTION . . . . .	3-1
FRONT PANEL CONTROLS, INDICATORS, AND CONNECTORS . . . . .	3-1
STATUS DISPLAY . . . . .	3-2
GPIB STATUS INDICATORS . . . . .	3-3
SIGNAL INPUT CONNECTORS . . . . .	3-4
REAR PANEL CONTROLS AND CONNECTORS . . . . .	3-4
INSTRUMENT DEFAULT SETTINGS . . . . .	3-6
KEYBOARD OPERATION . . . . .	3-7
NUMERIC ENTRY KEYS . . . . .	3-7
TERMINATOR KEYS . . . . .	3-7



CLEAR DISPLAY AND CLEAR DATA KEYS . . . . . 3-8

PARAMETER CALL KEYS . . . . . 3-8

THEORY OF OPERATION . . . . . 3-17

    FUNCTIONAL DESCRIPTION . . . . . 3-17

SIGNAL MEASUREMENTS . . . . . 3-23

    AUTOMATIC FREQUENCY MEASUREMENTS . . . . . 3-23

    TECHNIQUES FOR IMPROVING ACCURACY . . . . . 3-36

SPECIAL FUNCTION DIRECTORY . . . . . 3-41

    ACTIVATION OF SPECIAL FUNCTIONS . . . . . 3-43

ERROR MESSAGES . . . . . 3-59

**SECTION 4: ACCESSORIES**

INTRODUCTION . . . . . 4-1

    CARRYING CASE

        M585C-ACC010 . . . . . 4-2

    RACK-MOUNT KIT WITH HANDLES

        M585C-ACC021 . . . . . 4-3

    RACK-MOUNT KIT WITHOUT HANDLES

        M585C-ACC022 . . . . . 4-4

    SERVICE KIT (ADJUSTMENT AND TROUBLESHOOTING TOOL KIT)

        M585C-ACC043 . . . . . 4-5

    CHASSIS-SLIDE KIT (INCLUDES RACK-MOUNT KIT WITH HANDLES)

        M585C-ACC101 . . . . . 4-7

    CHASSIS-SLIDE KIT

        (INCLUDES RACK-MOUNT KIT WITHOUT HANDLES)

        M585C-ACC102 . . . . . 4-9

**SECTION 5: PROGRAMMING**

REMOTE PROGRAMMING . . . . . 5-1

    GENERAL PURPOSE INTERFACE BUS . . . . . 5-1

    GPIB FUNCTIONS IMPLEMENTED . . . . . 5-1

    DEVICE-DEPENDENT MESSAGES (LISTENER FEATURES) . . . . . 5-3

    OUTPUT MESSAGES (TALKER FEATURES) . . . . . 5-11

    STATUS BYTE . . . . . 5-12

    SERVICE REQUEST MASK . . . . . 5-13

    DEFAULT STATE (DEVICE CLEAR FEATURES) . . . . . 5-14

    GPIB ADDRESS SELECTION . . . . . 5-15

    TALK ONLY MODES . . . . . 5-15

    DATA INPUT AND OUTPUT SPEED . . . . . 5-16

READING MEASUREMENTS . . . . . 5-16



---

---

**SECTION 6: OPERATIONAL VERIFICATION TESTS**

INTRODUCTION . . . . . 6-1

EQUIPMENT REQUIREMENTS . . . . . 6-1

OPERATIONAL VERIFICATION TEST PROCEDURES . . . . . 6-2

    BAND 0 RANGE AND SENSITIVITY TEST (CW ONLY) . . . . . 6-2

    BAND 1 RANGE AND SENSITIVITY TEST . . . . . 6-4

    BAND 2 RANGE AND SENSITIVITY TEST . . . . . 6-5

    BAND 2 AMPLITUDE DISCRIMINATION TEST . . . . . 6-8

    BAND 3 SUBBAND 1 RANGE AND SENSITIVITY TEST  
    (588C OPTION 5804 ONLY) . . . . . 6-9

OPERATIONAL TEST RECORD . . . . . 6-11



*Phase Matrix, Inc.*<sup>TM</sup>

**585C & 588C**

---

This Page Intentionally Left Blank

---

---

# 1

---

---

## GENERAL INFORMATION

---

---

### INTRODUCTION

The Phase Matrix 585C and 588C Pulsed Microwave Frequency Counters are microprocessor-based, multifunction instruments used for both CW and pulsed microwave measurements. They can automatically measure the frequency of repetitive pulse signals as narrow as 50 ns. Both models can also automatically measure pulse widths from 50 ns to 1 second and pulse periods from 250 ns to 1 second, to a 10 ns resolution. Additionally, with an optional built-in delaying pulse generator, the 585C and 588C can profile pulsed or chirped signals with measurement windows as narrow as 15 ns. No manual switching is required to measure CW or pulsed signals.

The frequency range of the 585C is 100 Hz to 20 GHz. The frequency range of the 588C is 100 Hz to 26.5 GHz, and is extendible, by option, up to 170 GHz. Band 0, 100 Hz to 250 MHz, is for CW measurements only.

The unique YIG preselector, available only on Phase Matrix counters, enables frequency selective measurements and provides superior burnout protection.

All major functions are controlled through the 25-button, functionally grouped keyboard. Information is presented for viewing on a twelve-digit sectionalized display and a 20-message annunciator bank.

Microprocessor control and the unique architecture employed offer all the major counter functions, such as frequency offsets, frequency range limits, and averaging capabilities, plus a variety of special functions including internal diagnostics, calibration and test aids, and sophisticated operational enhancements.

All front panel controls (except the POWER switch) and all background functions are externally programmable via the IEEE 488 - 1978 standard GPIB (General Purpose Interface Bus) port. The instrument output status and all displayed information are accessible via the GPIB.



## OPERATING CONDITIONS

This instrument is designed to be operated at temperatures not exceeding 0 to 50° C at relative humidity not to exceed 95% (75% for temperatures greater than 25° C and 45% for temperatures greater than 40° C) non-condensing. This instrument performs to specifications at altitudes not exceeding 10,000 ft (3050 m) and tolerates vibration not exceeding 2 g. It is fungus resistant. The chassis is not designed to provide protection from mechanical shock or falling water particles and is intended for normal bench use in an environmentally uncontaminated area.

## VENTILATION

Air circulates through the vents in the rear panel of the counter. These vents must not be obstructed or the temperature inside the counter may increase enough to reduce counter stability and shorten component life.

## STORAGE

Store the instrument in an environment that is protected from moisture, dust, and other contaminants. Do not expose the instrument to temperatures below -55° C or above 75° C, nor to altitudes above 40,000 ft (12,000 m).

## SPECIFICATIONS

---

---

### GENERAL

---

---

Size	3.5 in H x 16.75 in. W x 14 in. D (8.9 cm H x 42.6 cm W x 35.6 cm D)
Weight	24 lb (11 kg) (with no options)
Shipping Weight	33 lb (15 kg) (with no options)
Operating Temperature	32 to 122 °F (0 to 50° C)
Humidity	0 to 95%, non-condensing (75% for > 25° C; 45% for > 40° C)
Power	100/120/220/240 V AC ±10% 50-400 Hz, 100 VA, typical
Pulsed Measurements	
Minimum Pulse Width	50 ns
Maximum Pulse Width	CW
Minimum Profile Sample	15 ns
Minimum PRF	1 Hz
Maximum PRF	4 MHz
Minimum Off Time	200 ns (does count CW)
Minimum On/off Ratio	15 dB
Resolution	1 Hz to 1 GHz
Gate Time	4 s to 1 μs (dependent upon band and resolution)

## SPECIFICATIONS (Continued)

## BAND 0 (CW ONLY)

Sensitivity	-20 dBm
Connector	BNC
Impedance	50 $\Omega$ nominal
Maximum Input	+7 dBm
Damage Level	+27 dBm
FM Tolerance	Carrier frequency must remain within band
Measurement Time ①	$MT = \frac{1}{RES} + 0.05$
Total Error	TE = timebase error $\pm 1$ count

## BAND 1

Frequency Range	250 MHz to 1 GHz
Sensitivity	-20 dBm
Connector	BNC
Impedance	50 $\Omega$ nominal
Maximum Input	+7 dBm
Damage Level	+27 dBm
Amplitude Discrimination	15 dB
FM Tolerance (up to 10 MHz rate)	Carrier frequency must remain within band
Measurement Time (Pulse) ①	$MT = \frac{(4)(PP)}{(GW)(RES)} + 0.05$
Measurement Time (CW) ①	$MT = \frac{4}{RES} + 0.05$
Acquisition Time ①	$AQ = \left( \frac{1}{MINPRF} \right) + 0.05$
Gate Error in Hz ①	$GE = \pm \frac{0.07}{GW}$
Distortion Error in Hz ①	$DE = \pm \frac{0.03}{PW - (3 \times 10^{-8})}$
Averaging Error in Hz ①	$AE = \pm 2 \times \sqrt{\frac{RES}{(GW)(AVG)}}$
Total Error (Pulse) ①	$TE_p = \pm AE \pm GE \pm DE \pm \text{Time Base Error}$
Total Error (CW)	$TE_{CW} = \text{Time Base Error} \pm 1 \text{ count}$ (Based on averaging 10 measurements)



SPECIFICATIONS (Continued)

BAND 2

Frequency Range	0.95 to 20 GHz (585C), 0.95 to 26.5 GHz (588C)
Sensitivity	-20 dBm (0.95 to 2 GHz) -25 dBm (2 to 12.4 GHz) -20 dBm (12.4 to 20 GHz) -15 dBm (20 to 26.5 GHz, 588C Only)
Connector	Precision Type N (585C), APC 3.5 (588C)
Impedance	50 Ω nominal
Maximum Input	+7 dBm
Damage Level	+45 dBm CW, +53 dBm peak (1 μsec pulse width, 0.1% duty cycle)
Amplitude Discrimination	15 dB (> 50 MHz separation). If < 15 dB, unit counts one signal accurately if signals are > 200 MHz apart.
Frequency Limits	Instrument rejects signals > 50 MHz outside of limits. Frequency limit can be set to a resolution of 10 MHz.
Center Frequency	Instrument rejects signals > 50 MHz outside the specified Δ frequency. Center Frequency and Δ Frequency can be set to a resolution of 10 MHz.
FM Tolerance (up to 10 MHz rate)	20 MHz p-p
Acquisition Time (Pulse)	$AQ = 2(FH) \left[ (4 \times 10^{-12}) + \frac{(4 \times 10^{-8})}{MINPRF} \right] + \frac{60}{MINPRF} + \frac{(2 \times 10^{-5})(PP)}{GW} + 0.3$
Acquisition Time (CW)	$AQ = 2(FH) \left[ (4 \times 10^{-12}) + \frac{(4 \times 10^{-8})}{MINPRF} \right] + \frac{60}{MINPRF} + 0.3$
Measurement Time (Pulse) ①	$MT = \frac{(PP)}{(GW)(RES)} + 0.05$
Measurement Time (CW) ①	$MT = \frac{1}{RES} + 0.05$
Gate Error in Hz ①	$GE = \pm \frac{0.01}{GW}$
Distortion Error in Hz ①	$DE = \pm \frac{0.03}{PW - (3 \times 10^{-8})}$
Averaging Error in Hz ①	$AE = \sqrt{\frac{RES}{(GW)(AVG)}}$
Total Error (Pulse)	$TE_p = \pm AE \pm GE \pm DE \pm \text{Time Base Error}$
Total Error (CW)	$TE_{CW} = \text{Time Base Error} \pm 1 \text{ count}$ (Based on averaging 10 measurements)

## SPECIFICATIONS (Continued)

## BAND 3 (OPTION 5804)

Frequency Range	26.5 to 170 GHz (see page 1-8)
Sensitivity	-20 dBm (26.5 to 60 GHz); -15 dBm (60 to 170 GHz)
Connector	Varies with remote sensor (see page 1-8)
Maximum Input	+5 dBm
Damage Level	+10 dBm
Amplitude Discrimination	20 dB
FM Tolerance (up to 10 MHz rate) ②	
Automatic	20 MHz p-p
Center Freq	150 MHz p-p
Averaging Error in Hz ①	$AE = \pm 2 \times \sqrt{\frac{RES}{(GW)(AVG)}}$
Gate Error in Hz ①	$GE = \pm \frac{0.03}{GW}$
Distortion Error in Hz ①	$DE = \pm \frac{0.02}{PW - (3 \times 10^{-8})}$
Total Error (Pulse)	$TE_p = \pm AE \pm GE \pm DE \pm \text{Time Base Error}$
Total Error (CW)	$TE_{CW} = \text{Time Base Error} \pm N^2 \text{ counts, where } N = \frac{\text{freq}}{2 \times 10^{10}}$
Acquisition Time (Pulse) ①	
Automatic	$AQ = \frac{70}{MINPRF} + \frac{(6 \times 10^{-3})(PP)}{GW} + 0.2$
Center Freq	$AQ = \frac{70}{MINPRF} + \frac{(8 \times 10^{-4})(PP)}{GW} + 0.2$
Acquisition Time (CW)	$AQ = \frac{70}{MINPRF} + 0.2$
Measurement Time (Pulse) ①	$MT = \frac{(4)(PP)}{(GW)(RES)} + 0.05$
Measurement Time (CW)	$MT = \frac{4}{RES} + 0.05$
Center Frequency	Signal must be within $\pm 2$ GHz of specified center frequency.

## PULSE PERIOD

Accuracy ①	$\pm 3 \times 10^{-8} + (\text{Timebase Error} \times PW)$
Resolution	10 ns
Range	250 ns - 1 s
Measurement Points	-6 dB $\pm$ 1.5 dB



### SPECIFICATIONS (Continued)

#### PULSE WIDTH

Accuracy ①	$\pm 3 \times 10^{-8} + (\text{Timebase Error} \times \text{PW})$
Resolution	10 ns
Range	50 ns - 1 s
Measurement Points	-6 dB $\pm$ 1.5 dB

#### TCXO TIME BASE (STANDARD)

Frequency	10 MHz
Aging Rate	$< 1 \times 10^{-7}/\text{month}$
Short Term Stability	$< 1 \times 10^{-9}$ RMS for one second averaging time
Temperature Stability	$< 1 \times 10^{-6}$ over the range 0° to 50° C
Line Variation	$< 1 \times 10^{-7}$ ( $\pm 10\%$ line voltage change)
Warm-up Time	$< 5$ minutes
Output Signal	10 MHz, 1 V p-p minimum into 50 $\Omega$
External Time Base Input	10 MHz, 1 V p-p minimum into 1 k $\Omega$

#### HIGH-STABILITY TIME BASE (OPTION 5809)

Frequency	10 MHz
Aging Rate	$< 5 \times 10^{-10}/\text{day}$ (after 72-hour warm-up), $1 \times 10^{-7}/\text{year}$
Short Term Stability	$< 1 \times 10^{-10}$ RMS for one second averaging time
Temperature Stability	$< 3 \times 10^{-8}$ over the range 0° to 50° C
Line Variation	$< 2 \times 10^{-10}$ ( $\pm 10\%$ line voltage change)
Warm-up Time	Within $5 \times 10^{-9}$ 10 min after turn-on at 25° C Within $1 \times 10^{-9}$ 30 min after turn-on at 25° C



## SPECIFICATIONS (Continued)

## DELAYING PULSE GENERATOR (OPTION 5810)

## Pulse Output

Level	TTL ③ into 50 $\Omega$
Connector	BNC

## Trigger Input

Level	TTL ③
Polarity	Positive or Negative (see special functions 12 and 13)
Impedance	1 k $\Omega$
Connector	BNC

## Trigger Output

Level	TTL ③ into 50 $\Omega$
Pulse Width	50 to 100 ns
Connector	BNC

## Pulse Width

Minimum	24 ns
Maximum	800 ms
Resolution	2 ns

## Pulse Delay ④

Minimum	74 ns
Maximum	800 ms
Resolution	2 ns

## Pulse Period

Minimum	100 ns
Maximum	800 ms
Resolution	50 ns



SPECIFICATIONS (Continued)

REMOTE SENSORS

Remote Sensor	Band	Frequency Range (GHz)	Waveguide Size	Waveguide Flange	Power Range (dBm)	Damage Level (dBm)
91	3-1	26.5 - 40	WR-28	UG-599/U	-20 to +5	+10
92	3-3	40 - 60	WR-19	UG-383/U	-20 to +5	+10
93	3-5	60 - 90	WR-12	UG-387/U	-15 to +5	+10
94	3-6	90 - 110	WR-10	UG-387/U	-15 to +5	+10
95	3-4	50 - 75	WR-15	UG-385/U	-20/-15 to +5	+10
96	3-2	33 - 50	WR-22	UG-383/U	-20 to +5	+10
97	3-1	26.5 - 50	2.92 mm coax (K-Connector)*	Coaxial	-20 to +5	+10
98	3-8	110 - 170	WR-6	UG-387/U	-15 to +5	+10

\* K-Connector is a registered trademark of the Wiltron Company.

OPTIONS AND ACCESSORIES

OPTION	DESCRIPTION
5803	Rear Panel Input Connectors
5804	Band 3 Frequency Extension Module. Available on Model 588C only. Required for frequencies between 26.5 GHz and 170 GHz. Frequency Extension Cable Kit 890 and appropriate remote sensors are also required.
5809	Ovenized High Stability Time Base (Aging Rate: < 5 x 10 <sup>-10</sup> /day)
5810	Delaying Pulse Generator

ACCESSORY	DESCRIPTION
010	Carrying Case
101	Chassis-Slide kit(includes Rack Mount kit with handles)
102	Chassis-Slide kit(includes Rack Mount kit without handles)
890	Frequency Extension Cable kit
031	Operation Manual (one supplied with each instrument)
032	Operation and Service Manual
022	Rack-Mount kit without handles
091	Remote Sensor 26.5 GHz - 40 GHz (WR-28)
092	Remote Sensor 40 - 60 GHz (WR-19)
093	Remote Sensor 60 GHz - 90 GHz (WR-12)
094	Remote Sensor 90 GHz - 110 GHz (WR-10)

---



---

**OPTIONS AND ACCESSORIES (Continued)**


---



---

<b>ACCESSORY</b>	<b>DESCRIPTION</b>
095	Remote Sensor 50 GHz - 75 GHz (WR-15)
096	Remote Sensor 33 GHz - 50 GHz (WR-22)
097	Remote Sensor 26.5 GHz - 50 GHz (2.92 mm coax, SMA compatible)
098	Remote Sensor 110 GHz - 170 GHz (WR-6)
021	Rack-Mount kit with handles
043	Service Kit

**NOTES**

- ① All formulas are written in fundamental units (Hz, sec, etc.).  
 MV is the maximum video amplitude in dBm.  
 SL is the input signal level in dBm.  
 FV is the frequency component of the video in Hz.  
 GW is the logical "AND" of pulse width and inhibit signal minus 30 ns.  
 PW is pulse width of the incoming signal in seconds.  
 PP is the period of the input signal in seconds.  
 RES is the resolution in Hz up to 1 MHz. Above 1 MHz only the displayed resolution changes; the internal resolution remains at 1 MHz.  
 AVG is the number of measurements averaged.  
 FH is the difference between Frequency Limit High and Frequency Limit Low in Hz.  
 MINPRF is the specified instrument MINPRF in Hz up to 1 kHz. Above 1 kHz, MINPRF is 1 kHz.
- ② In Band 3, if FM/Chirp is > 150 MHz and nonsymmetrical, the measured frequency is a function of average frequency and geometric center frequency.
- ③ TTL levels have a maximum low of 0.4 and a minimum high of 2.4.
- ④ In Internal Trigger Mode, pulse delay is measured from the rising edge of the Internal Trigger Output to the Pulse Output. In External Trigger Mode, pulse delay is measured from either the rising or the falling edge (software selectable) of the External Trigger Input to the Pulse Output.



## DECLARATION OF CONFORMITY

Application Of Council Directive 89/336/EEC

Standards to which Conformity is Declared:

EMC: EN50011  
EN50082-1

Standards to which Compliance is Declared:

Safety: IEC 1010-1 (1990)

Manufacturer's Name: Phase Matrix, Inc.

Manufacturer's Address: 109 Bonaventura Dr.  
San Jose, California 95134

Type of Equipment: Frequency Counter

Model Name(s): 585C/588C and 595A/598A

Tested By: Rockford Engineering Services, Inc.  
9959 Calaveras Road  
Sunol, CA 94586 USA

Project Engineer: Mr. Bruce Gordon and Leo Hernandez

Reviewer: Mr. Michael Gbadebo, P.E.

I, the undersigned, hereby declare that the equipment specified above conforms to Directives and Standards listed.

For: Phase Matrix

Name: Pete Pragastis  
Title: President

Signature: 

Date: 6-1-99

---

---

# 2

---

---

## INSTALLATION

---

---

### UNPACKING

The Phase Matrix 585C and 588C series Pulsed Microwave Frequency Counters arrive ready for operation. Carefully inspect the shipping carton for any sign of damage. If the carton is damaged, immediately notify shipper's agent.

Remove the packing carton and supports, being careful not to mar or damage the instrument. Make a complete visual inspection of the counter, checking for any damage or missing components. Check that all switches and controls operate mechanically. Report any damage to Phase Matrix immediately.

### INSTALLATION

There are no special installation instructions for these counters. They are self-contained bench or rack-mount instruments, which only require connection to a standard, single-phase power line for operation.

#### CAUTION

---



**To prevent damage to the counter, verify that the voltage value visible through the window in the fuse drawer (see Figure 2-1) is correct for the available AC power-input voltage, and inspect the fuse to ensure that it is the correct type and that it matches the rating specified in Table 2-1.**

---

#### WARNING

---



**Disconnect the AC power cord before removing the fuse or changing the voltage selector setting.**

---



# FUSE REPLACEMENT

The fuse is located inside the rear-panel power-input-module assembly (see Figure 2-1). Use only the fuse types listed in Table 2-1.

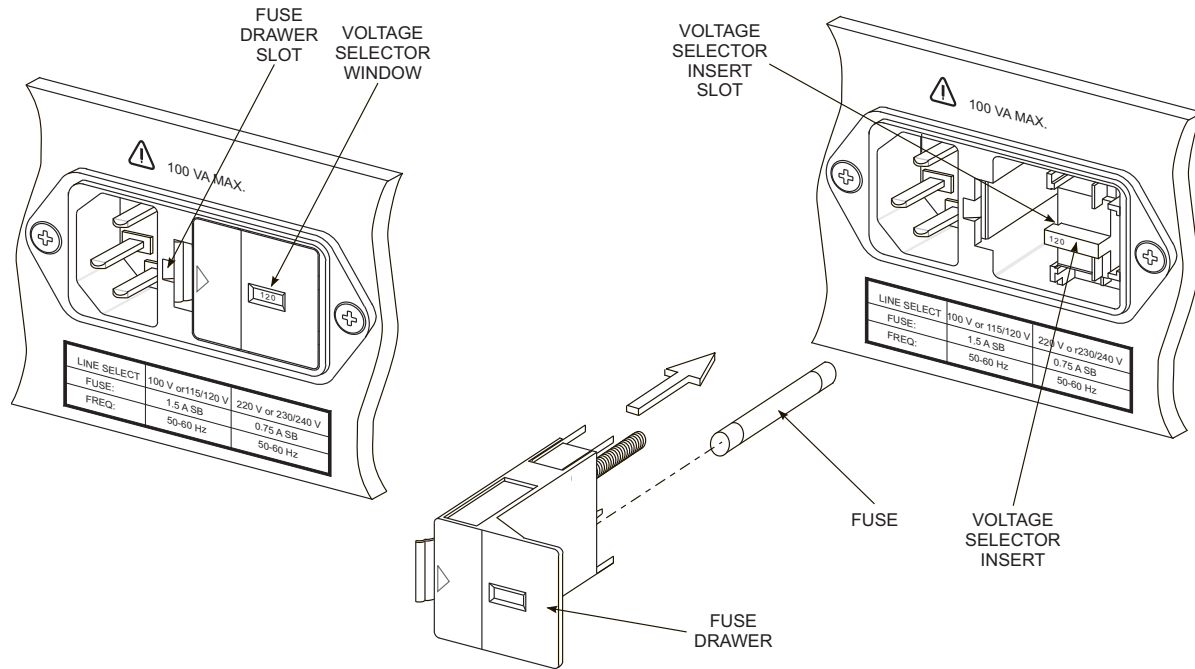


Figure 2-1. Fuse and Voltage Selector Insert Locations

Table 2-1. Fuse Types

Line Voltage	Fuse Type
100/120 VAC	1.5 A Slow-blow, 250 V
200/240 VAC	0.75 A Slow-blow, 250 V

To access the fuse or the voltage selector, insert a screwdriver into the fuse-drawer slot, gently push to the right, and pull the fuse drawer out (see Figure 2-2). To reinsert the fuse drawer, push it slowly back into the power-input module until it snaps into place.

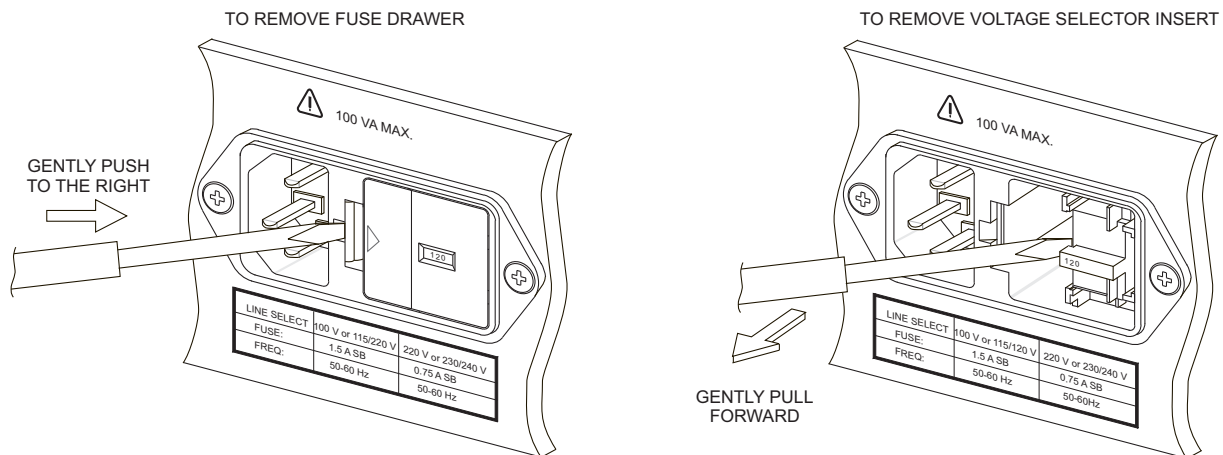


Figure 2-2. Fuse Drawer and Voltage Selector Insert Removal

## VOLTAGE SELECTION

The voltage-selector insert is located inside the rear-panel power-input module (see Figure 2-1). The insert must be installed correctly for the available AC line voltage. To change the voltage, remove the fuse drawer as described on page 2-2, insert a screwdriver in the slot on the side of the voltage-selector insert, and gently pry the voltage-selector insert out while pulling the tab on the voltage-selector insert towards you. Reinstall the voltage-selector insert so the correct voltage is visible on the tab on the insert. Slowly push the fuse drawer back into the power-input module until it snaps into place.

## INCOMING OPERATIONAL CHECKOUT

Use the following procedure, which can be performed without special tools or equipment, to check the operation of the counter:

1. Before connecting power to the instrument, ensure the correct fuse is installed and that the voltage-selector insert is set properly.
2. Connect the power cord to an appropriate single-phase power source. The ground terminal on the power cord plug must be properly grounded.
3. Turn the POWER switch on. All LEDs and annunciators should light for about two seconds. The counter should then display all zeros indicating that the automatic self-check has been successfully completed.

4. Press: 

SPECIAL
9
FUNC

0
---

1
---

 The display should read  $200\ 000 \pm 1$  (200 MHz).

5. Press: 


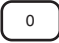
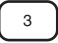

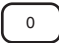

SPECIAL
9
FUNC

0
---

2
---

 The display should read all 8s. All annunciators and decimal points should be lit..



6. Press:    Each display segment should light in turn (adjustable by the front-panel SAMPLE RATE control).
7. Press:    Each digit should light in turn (adjustable by the front-panel SAMPLE RATE control).

This completes the incoming operational checkout procedure.

## SERVICE INFORMATION

### PERIODIC MAINTENANCE

No periodic maintenance is required. However, to maintain accuracy, it is recommended that the counter be recalibrated every 12 months. The specific calibration interval may be redefined depending upon the measurement accuracy required. For sample measurement error calculations for both 6- and 12-month calibration intervals, see “Timebase Error” in Section 3.

#### CAUTION



**Do not attempt to repair or disassemble the microwave converter, millimeter wave converter, or time-base-oscillator assemblies. Such actions void the counter’s warranty. Contact Phase Matrix or your sales representative if you think these assemblies require service.**

#### WARNING



**Do not attempt to repair or disassemble the microwave converter assembly. This assembly contains beryllia (beryllium oxide), which, if handled improperly, could pose a health hazard.**

### COUNTER IDENTIFICATION

This counter is identified by three sets of numbers: a model number (585C or 588C), serial number, and a configuration control number (CCN). These numbers are located on a label affixed to the frame at the rear of the counter (some units may have separate CCN and serial-number labels). The model number, CCN, serial number, and the numbers of any options must be included in any correspondence regarding your counter. A typical serial-number label is shown in Figure 2-3.

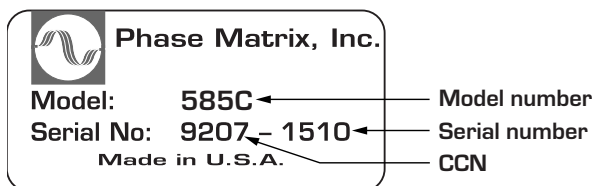


Figure 2-3. Typical CCN/Serial Number Label



## FACTORY SERVICE

If the counter is being returned to Phase Matrix for service or repair, be sure to include the following information with the shipment:

- Name and address of owner.
- Model, complete serial number, and CCN of the counter.
- A complete description of the problem. (Under what conditions did the problem occur? What was the signal level? What equipment was attached or connected to the counter? Did that equipment experience failure symptoms?)
- Name and telephone number of someone familiar with the problem that may be contacted by Phase Matrix for any further information if necessary.
- Shipping address to which the counter is to be returned. Include any special shipping instructions.

Pack the counter for shipping as detailed below.

## SHIPPING INSTRUCTIONS

Wrap the counter in heavy plastic or kraft paper, and repack in original container if available. If the original container cannot be used, use a heavy (275 pound test) double-walled carton with approximately four inches of packing material between the counter and the inner carton. Seal carton with strong filament tape or strapping. Mark the carton to indicate that it contains a fragile electronic instrument. Clearly mark the carton to indicate that the contents were manufactured in the U.S.A. Ship the carton to the Phase Matrix address on the cover of this manual.



*Phase Matrix, Inc.*<sup>™</sup>

**585C & 588C**

---

This Page Intentionally Left Blank.

# 3

## OPERATION

### INTRODUCTION

This section lists the counter controls, connectors, and indicators, explains how each counter function operates, and provides some general measurement considerations.

#### NOTE

*A carrying case, a tool kit, and rack-mounting kits that are available from Phase Matrix for the 585C and 588C counters are described in Section 4.*

### FRONT PANEL CONTROLS, INDICATORS, AND CONNECTORS

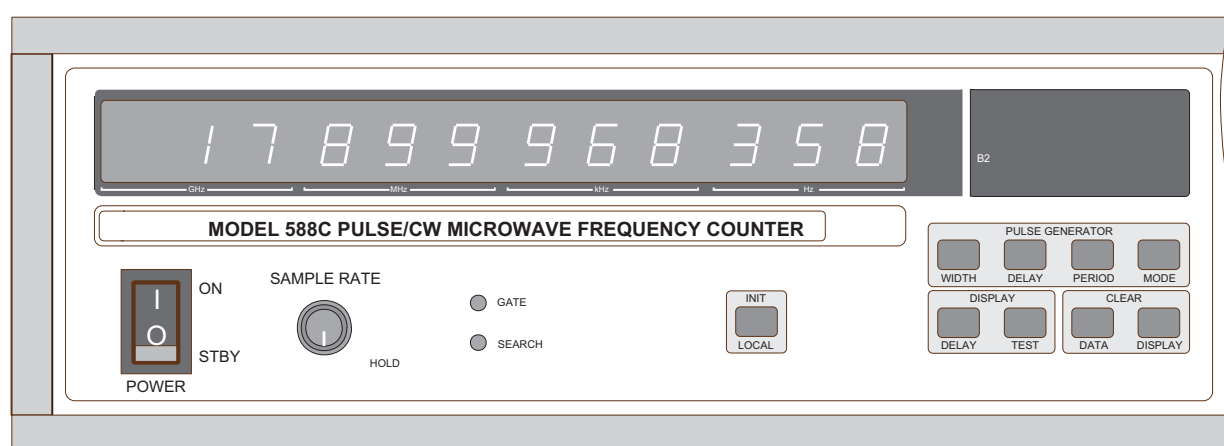


Figure 3-1. Front Panel Controls and Indicators

- POWER switch — selects ON or STBY. In the standby position power is applied to the oven oscillator, if installed, and to the primary side of the power transformer.



WARNING



Whenever AC power is connected to this instrument, the power supply is energized. Therefore, exercise caution whenever the covers are removed.

- SAMPLE RATE/HOLD control — varies time between measurements from 0.1 to 10 seconds (nominal). The last reading is retained indefinitely in HOLD.
- GATE indicator — lights when the signal gate is open and a measurement is being made.
- SEARCH indicator — lights when the counter is not locked to an input signal.
- Data display — 12-digit numeric display provides direct read-out of measurement data. Frequency data is displayed in a fixed position format that is sectionalized in GHz, MHz, kHz and Hz. When active, pulse parameter data (pulse width and pulse period) is displayed in the three least significant digits of the frequency display in a floating point format.
- Status display — A series of annunciators provided to indicate current operating status of the counter (see Figure 3-2).
- Keyboard — Both data entry and function selection are controlled through the keyboard (see Keyboard Operation on page 3-7).

STATUS DISPLAY

sec	B0	PW	LO	PRF	LSN
ms	B1	PP	HI	HLD	TLK
us	B2	DLY	CF	SPC	SRQ
dBm	B3	CAL	GEN	EXT	RMT

Figure 3-2. Status Display

- sec — indicates pulse parameters are being displayed in seconds.
- ms — indicates pulse parameters are being displayed in milliseconds.
- us — indicates pulse parameters are being displayed in microseconds.
- dBm — not used.
- B0 — lights when Band 0 is selected.
- B1 — lights when Band 1 is selected.
- B2 — lights when Band 2 is selected.
- B3 — lights when any sub-band of Band 3 is selected.
- PW (pulse width) — lights when the pulse width display function is selected.

- PP (pulse period) — lights when the pulse period display function is selected.
- DLY (delay) — lights when the pulse generator (optional) display delay function is selected.
- LO (frequency limit low) — lights when a low limit other than the factory default is being used.
- HI (frequency limit high) — lights when a high limit other than the factory default is being used.
- CF (center frequency) — lights when the center frequency mode of operation is enabled.
- GEN (generator) — lights when optional delaying pulse generator is active.
- PRF (minimum pulse repetition frequency) — lights when a MINPRF other than the factory default is being used.
- HLD (hold) — lights when measurement updating is disabled.
- SPC (special function) — lights when a special function is enabled.
- EXT (external reference) — lights when the counter is set to an external timebase reference.

**NOTE**

---

*For proper counter operation: when the EXT function is selected, a 10 MHz external reference MUST be applied to the rear panel input connector.*

---

## **GPIB STATUS INDICATORS**

- LSN (listen) — lights when the counter is addressed as a listener by the GPIB.
- TLK (talk) — lights when the counter is addressed as a talker by the GPIB.
- SRQ (service request) — lights when the counter is sending a service request.
- RMT (remote) — lights to indicate that the front panel controls are disabled and the counter is being controlled by the GPIB.



## SIGNAL INPUT CONNECTORS

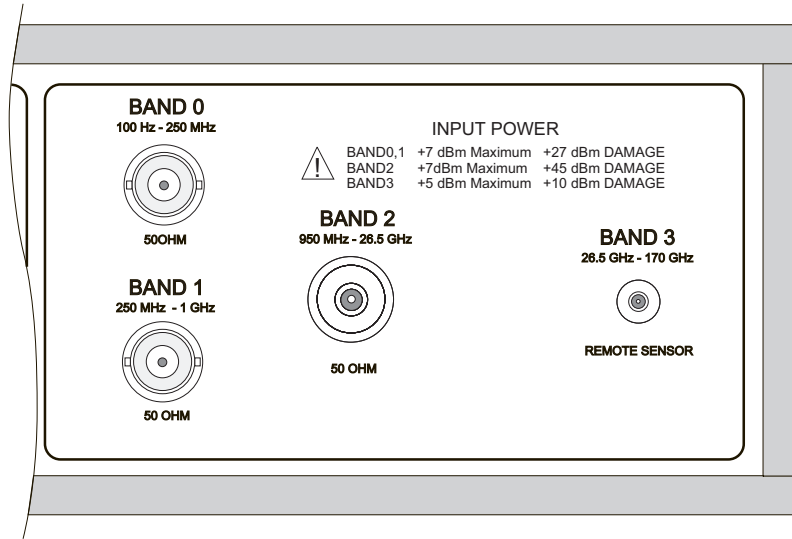


Figure 3-3. Signal Input Connectors (Model 588C Shown)

- BAND 0 (BNC female) — has a nominal input impedance of 50 Ω and is used for CW measurements in the range of 100 Hz to 250 MHz.
- BAND 1 (BNC female) — has a nominal input impedance of 50 Ω and is used for measurements in the range of 250 MHz to 1 GHz.
- BAND 2 (precision N female for Model 585C, GPC 3.5 female for Model 588C) — has a nominal input impedance of 50 Ω and is used for measurements in the range of 1 GHz to 20 GHz (26.5 GHz for 588C).
- BAND 3 (Optional – for Model 588C only, SMA female) — Used for measurements in the range of 26.5 to 170 GHz. This input is used in conjunction with the Model 890 Frequency Extension Cable Kit and a remote sensor.

## REAR PANEL CONTROLS AND CONNECTORS

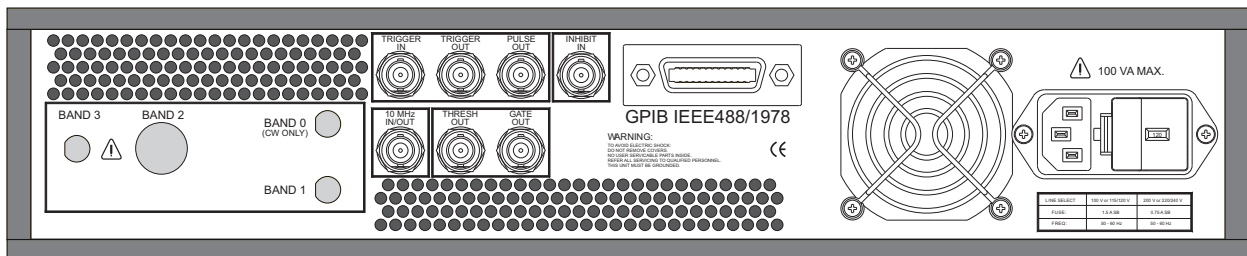


Figure 3-4. Rear Panel Controls and Connectors

- BAND 0, BAND 1, BAND 2, and BAND 3 — are provided on instruments with optional rear panel inputs (Option 5803).

- THRESH OUT — is the digitized pulse envelope. When the counter has a converter lock and a signal is present, the output is a TTL high into 50  $\Omega$ . Without a converter lock, the output is a TTL low. The Thresh Out and the Gate Out, together, show exactly where in the pulse the measurement is being taken.
- GATE OUT — represents the gate to the Count Chain board. The gate output follows the actual gate, not the gate enable. When the gate is active, the output is a TTL high into 50  $\Omega$ ; otherwise, the output is a TTL low. The Threshold Out and the Gate Out, together, show exactly where in the pulse the measurement is being taken.
- 10 MHz IN/OUT — provides a 10 MHz square wave output at 1 V p-p, AC coupled into 50  $\Omega$  when the counter's internal timebase is enabled. Accepts a 10 MHz 1 V p-p signal into 1000  $\Omega$  for external timebase operation. Special Functions 08 and 09 are used to select either the external or internal timebase.
- INHIBIT IN — used to delay frequency measurements. TTL level input is used to control when the counter can perform a measurement. A TTL high on this input allows counter to search, center, and perform measurements on incoming signals. A TTL low on this input prevents the counter from detecting an incoming signal, inhibiting signal measurements.
- GPIB — connects the instrument to the IEEE 488 - 1978 bus.
- AC Power Connector — accepts the power cord supplied with the counter.
- DELAYING PULSE GENERATOR (OPTIONAL)
- TRIGGER IN — TTL input signal for triggering the internal delaying pulse generator. Input impedance is approximately 1 k $\Omega$ . Trigger polarity is selectable using Special Functions 12 and 13.
- TRIGGER OUT — TTL output signal, 50 to 100 ns in duration, with a low-to-high transition occurring at delay time equal to zero. This output is capable of driving 50  $\Omega$ .
- PULSE OUT — TTL output pulse from the internal delaying pulse generator. This output is capable of driving 50  $\Omega$ .



## INSTRUMENT DEFAULT SETTINGS

When the counter is initially turned on the state of the counter is determined by a set of default values which are stored in memory. The factory-set (default) values for all instrument settings are listed in Table 3-1.

Table 3-1. Instrument Default Settings

Parameter	Default Value
Band	2 (microwave band)
Subband	1
Resolution	3 (1 kHz)
Special Function	00 (all cleared)
Average	01
Frequency Multiplier	01
Frequency Offset	0 kHz
Minimum PRF	2 kHz
Frequency Limit Low	900 MHz
Frequency Limit High	20.5 GHz (Model 585C) 26.7 GHz (Model 588C)
Center Frequency	0 kHz (not active)
$\Delta F$	50 MHz
Frequency Display	On
Pulse Width Measurements	Off
Pulse Period Measurements	Off
Pulse Generator (Optional)	
Width	1 $\mu$ s
Delay	50 ns
Period	10 $\mu$ s
Mode	0 (not active)

Models 585C and 588C both offer a feature that enables the user to customize the state of the instrument at turn-on. For more information on this feature, see Special Functions 72 and 73.



## KEYBOARD OPERATION

The keyboard consists of 25 push-button keys that control the major functions of the counter (see Figure 3-5).

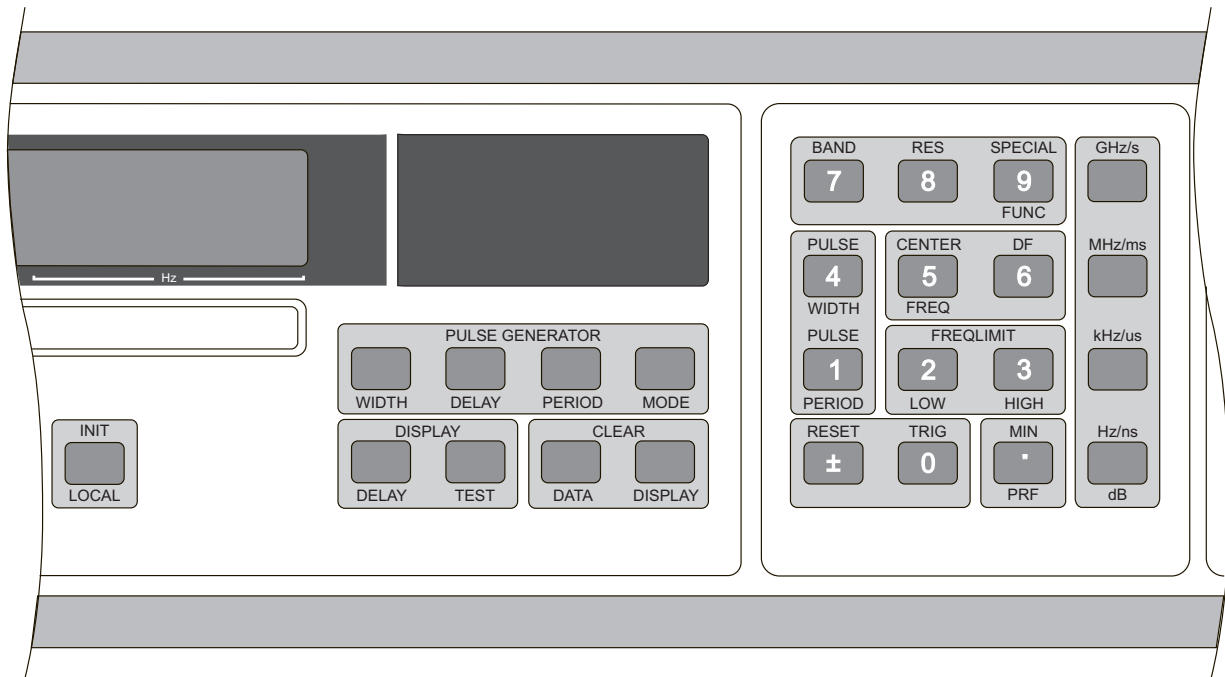


Figure 3-5. Keyboard

### NUMERIC ENTRY KEYS

Twelve keys are used for numerical data entry—the digits 0 through 9, the decimal point, and the change sign ( $\pm$ ).

### TERMINATOR KEYS

Four keys (GHz/s, MHz/ms, kHz/us, and Hz/ns dB) act as terminators for the input of frequency and time parameters. The CLEAR DISPLAY and CLEAR DATA keys are also considered terminator keys.



## CLEAR DISPLAY AND CLEAR DATA KEYS

These are also considered terminator keys. At any point during a key sequence, the user has the option either to:

- Press CLEAR DISPLAY to abort the sequence and return to normal operation without changing the value of the called parameter.
- Press CLEAR DATA to abort the sequence and assign the default value to the called parameter.

## PARAMETER CALL KEYS

The operation of the counter is controlled by the values of the measurement parameters. These parameters can be changed by the user through the keyboard or via GPIB. Twelve of the keys, called parameter call keys, are also used to select the measurement parameters. Five of these keys, BAND (which also calls subband), PULSE GENERATOR MODE, RES, TEST, and SPECIAL FUNC are used without terminators, while the other eight, CENTER FREQ, FREQ LIMIT LOW, FREQ LIMIT HIGH, MIN PRF, PULSE GENERATOR DELAY, PULSE GENERATOR PERIOD, PULSE GENERATOR WIDTH, and Δ FREQ are used with the terminator keys. The parameter call keys are dual-function keys since they are also used for numeric data entry.

### PARAMETER CALL KEYS USED WITHOUT TERMINATOR

#### BAND

This key controls the frequency measurement range. Select the appropriate band according to Table 3-2.

Table 3-2. Band Key

Band	Range
0	100 Hz to 250 MHz
1	250 MHz to 1 GHz
2	1 GHz to 20 GHz (Model 585C) 1 GHz to 26.5 GHz (Model 588C)
3	26.5 to 170 GHz (Optional - Model 588C only)

#### KEYBOARD EXAMPLES:

Press:   to select the default band.

Press:   to select Band 2.

**GPIB EXAMPLE:**

Enter: Send 0, 18, "BAND 2", NLEnd to select Band 2.

**SUBBAND** (Called using **BAND** key)

This parameter controls the frequency measurement range of Band 3. It is set according to the remote sensor being used. Select the appropriate subband per Table 3-3:

*Table 3-3. Subband Selection*

Subband	Range (GHz)	Subband	Range (GHz)
1	26.5 to 40	5	60 to 90
2	33 to 50	6	75 to 110
3	40 to 60	7	90 to 140
4	50 to 75	8	110 to 170

**KEYBOARD EXAMPLES:**

Press:    to select default subband.

Press:    to select Band 3, subband 4.

Press:   to display the band without changing it.

**GPIB EXAMPLES:**

Enter: Send 0, 18, "BAND 3, SUBBAND 4", NLEnd to select Band 3, subband 4.

Enter: Send 0, 18, "SUBBAND 4", NLEnd to select subband 4 (if counter is already in Band 3).  
This command does not automatically set counter to Band 3.



## PULSE GENERATOR MODE

This key is used to turn on the optional internal delaying pulse generator and to select the trigger source.

### KEYBOARD EXAMPLES:

Press:   to select default value.

Press:   to turn off the pulse generator.

Press:   to trigger from an external source.

Press:   for continuous internal trigger.

Press:   to trigger from input RF signal threshold.

### GPIB EXAMPLES:

Enter: Send 0, 18, "GMODE 1", NLEnd to trigger from external source.

Enter: Send 0, 18, "GMODE 2", NLEnd for continuous internal trigger.

Enter: Send 0, 18, "GMODE 3", NLEnd to trigger from input RF signal threshold.

Enter: Send 0, 18, "GMODE 0", NLEnd to turnoff pulse generator.

**RES**

This key controls the frequency measurement resolution. Select the desired resolution according to Table 3-4.

*Table 3-4. Frequency Measurement Resolution*

Selection	Resolution	Gate Time
0	1 Hz	1 sec
1	10 Hz	100 ms
2	100 Hz	10 ms
3	1 kHz	1 ms (default)
4	10 kHz	100 $\mu$ s
5	100 kHz	10 $\mu$ s
6	1 MHz	1 $\mu$ s
7	10 MHz	1 $\mu$ s
8	100 MHz	1 $\mu$ s
9	1 GHz	1 $\mu$ s

**KEYBOARD EXAMPLES:**

Press:   to select default resolution.  
DATA

Press:   to select resolution 2 (100 Hz).

Press:   to select resolution 9 (1 GHz).

**GPIB EXAMPLE:**

Enter: Send 0, 18, "RESOLUTION 2", NLEnd to select resolution 2 (100 Hz).

**TEST**

This key calls the 200 MHz self-test. It is functionally the same as activating Special Function 01. For a full description of Special Function 01, see "ACTIVATION OF SPECIAL FUNCTIONS," on page 3-43.



## SPECIAL FUNC

This key is used to call any of the various special functions listed in the "SPECIAL FUNCTION DIRECTORY" on page 3-41.

### KEYBOARD EXAMPLES:

Press:   to clear all activated special functions.

Press:    to activate Special Function 01, 200 MHz self test.

Press:    to activate Special Function 04, scan digits test.

### GPIB EXAMPLE:

Enter: Send 0, 18, "SPECIAL 01", NLEnd to activate Special Function 01, 200 MHz self-test.

### PARAMETER CALL KEYS USED WITH TERMINATOR

## CENTER FREQ

This key controls the center of the frequency range in which the counter searches for a signal. The  $\Delta F$  key controls the search range. This function is used to reduce the acquisition time or to search for a particular signal in a multiple signal environment. This function is only available in bands 2 and 3.

Select Band 2 CENTER FREQ in the range of 1 GHz to 20 GHz for Model 585C, and in the range of 1 GHz to 26.5 GHz for Model 588C. The counter searches and locks onto signals within  $\pm\Delta F$  from the entered value. Depending on input-signal power and frequency, the counter can lock on signals outside the  $\Delta F$  frequency range. The actual locking range is determined by the entered  $\Delta F$  frequency, input signal level, the maximum frequency range of Band 2, and the bandpass of the YIG filter located at the input to Band 2.

Select Band 3 CENTER FREQ in the range of the subband currently selected. The counter locks on signals  $\pm 2$  GHz from the entered center frequency. The  $\Delta F$  key is not active in Band 3. The counter does not reject signals outside this range. If a signal more than  $\pm 2$  GHz from the entered center frequency is applied, an erroneous reading may result.

The entered center frequency value is truncated to 10 MHz resolution. The number can be entered in any fixed-point format; the units terminator determines the scale of the input number.

**KEYBOARD EXAMPLES:**

Press:   to disable center-frequency operation.  
FREQ DATA

Press:       to select a 14.8 GHz value.  
FREQ

Press:       to select a 2170 MHz (2.17 GHz) value (truncated to 10 MHz resolution).  
FREQ

**GPIB EXAMPLE:**

Enter: Send 0, 18, "CENTERFREQ 14.8 GHZ", NLEnd to select a center frequency of 14.8 GHz.

**FREQ LIMIT LOW**

This key controls the low end of the frequency window that is searched for a signal in Band 2. Select frequency limit low in the range of 900 MHz to 20.5 GHz for Model 585C, and in the range of 900 MHz to 26.7 GHz for Model 588C. The value entered is truncated to 10 MHz resolution. This function is only available in Band 2. The frequency limit low must always be less than the frequency limit high. The number can be entered in any fixed-point format; the units terminator determines the scale of the input number.

**KEYBOARD EXAMPLES:**

Press:   to select the default value.  
LOW DATA

Press:       to select a 2.35 GHz value.  
LOW

Press:         to select 3130.0 MHz (3.13 GHz) (truncated to 10 MHz resolution).  
LOW

**GPIB EXAMPLE:**

Enter: Send 0, 18, "LOWLIMIT 2.35 GHZ", NLEnd to select a 2.35 GHz value.

**FREQ LIMIT HIGH**

This key controls the high end of the frequency window that is searched for a signal in Band 2. Select the high frequency limit in the range of 900 MHz to 20.5 GHz for Model 585C, and in the range of 900 MHz to 26.5 GHz for Model 588C.

The value entered is truncated to 10 MHz resolution. This function is only available in Band 2. Frequency limit high must always be greater than frequency limit low.



The number can be entered in any fixed-point format; the units terminator determines the scale of the input number.

**KEYBOARD EXAMPLES:**

Press:   to select the default value.

Press:      to select a 3.2 GHz value.

Press:        to select a 21090 MHz (21.09 GHz) value (truncated to 10 MHz resolution).

**GPIB EXAMPLE:**

Enter: Send 0, 18, "HIGHLIMIT 3.2 GHz", NLEnd to select a 3.2 GHz value.

**MIN PRF**

This key controls the minimum pulse repetition frequency of the pulsed signals that can be acquired and measured by the counter. For example, if a MIN PRF of 500 Hz is selected, the counter only measures signals with a minimum pulse repetition frequency of 500 Hz or greater. This parameter affects the acquisition speed indirectly by affecting two internal processes: the time of waiting for a pulse at each frequency step in the frequency range search, and the time of waiting for a pulse when taking measurements before declaring a "signal lost" condition. CW signals can always be acquired and counted regardless of the specified MIN PRF.

Select MIN PRF in the range of 1 Hz to 100 kHz, depending on the minimum pulse repetition frequency of the signal being measured. The number can be entered in any fixed-point format; the units terminator determines the scale of the input number.

**NOTE**

*If the PRF of the input signal is less than the MIN PRF chosen, erroneous measurements may be displayed.*

**KEYBOARD EXAMPLES:**

Press:   to select the default value.

Press:      to select a 500 Hz value.



**GPIB EXAMPLE:**

Enter: Send 0, 18, "MINPRF 500 HZ", NLEnd to select a minimum pulse repetition frequency value of 500 Hz.

**PULSE GENERATOR DELAY**

This key is used to control the delay from trigger of the output pulse from the optional internal delaying pulse generator. The delay can be set in increments of 2 ns, from a minimum of 74 ns (values smaller than 74 ns may be entered, but the minimum guaranteed is 74 ns) to a maximum of 800 ms using either the keyboard or GPIB. Entries made to a resolution finer than 2 ns are rounded down to the closest 2 ns value.

**KEYBOARD EXAMPLES:**

Press:   to select the default value (50 ns).

Press:      to set delay to 100 ns.

**GPIB EXAMPLES:**

Enter: Send 0, 18, "GDELAY 100 NS", NLEnd to set delay to 100 ns

Enter: Send 0, 18, "GDELAY 5 MS", NLEnd to set delay to 5 ms.

**PULSE GENERATOR PERIOD**

This key is used to control the period of the output signal from the internal delaying pulse generator. In MODES 1 and 3, the period of the signal is determined by the trigger source, so this parameter only applies when the pulse generator is in the continuous trigger mode (MODE 2). The pulse period can be set in increments of 50 ns, from a minimum of 100 ns to a maximum of 800 ms using either the keyboard or GPIB. Entries made to a resolution finer than 50 ns are rounded down to the closest 50 ns value.

**KEYBOARD EXAMPLES:**

Press:   to select the default value (10  $\mu$ s).

Press:      to set the period to 100 ns.

Press:      to set the period to 100 ms.



**GPIB EXAMPLES:**

Enter: Send 0, 18, "GPERIOD 100 MS", NLEnd to set period to 100 ms.

Enter: Send 0, 18, "GPERIOD 100 US", NLEnd to set period to 100 μs.

**PULSE GENERATOR WIDTH**

This key is used to control the output pulse width for the optional internal delaying pulse generator. The pulse width can be set in 2 ns increments, from a minimum of 24 ns to a maximum of 800 ms using either the keyboard or GPIB. Entries made to a resolution finer than 2 ns are rounded down to the closest 2 ns value.

**KEYBOARD EXAMPLES:**

Press :   to select default value (1 μs).

Press:     to set width to 50 ns.

**GPIB EXAMPLES:**

Enter: Send 0, 18, "GWIDTH 50 NS", NLEnd to set width to 50 ns.

Enter: Send 0, 18, "GWIDTH 5 MS", NLEnd to set width to 5 ms.

**Δ FREQ**

This key controls the search range for the center frequency function. It defaults to a range of ±50 MHz, but can be set from 0 to the full range of the selected band in increments of 10 MHz. ΔF is only available in Band 2.

The counter searches ±ΔF around the center frequency. Setting ΔF to zero is a special case. If ΔF is zero the counter does not search for the signal. The YIG filter is moved to the entered center frequency, and if a signal is present, it is measured. Since the counter does not search for the signal, when ΔF equals zero, the signal acquisition time is effectively eliminated.

**ONE-SHOT ACTION KEYS**

The remaining keys are called one-shot action keys. These are DISPLAY DELAY, INIT/LOCAL, PULSE PERIOD, PULSE WIDTH, RESET, and TRIG.

- DISPLAY DELAY — causes the counter to display the current delay time of the internal delaying pulse generator in the parameter display.
- INIT/LOCAL — when the counter is in local mode, this key causes the counter to be initialized to the power-on state. When the counter is in remote mode, the INIT/LOCAL key causes a return to local mode (unless a GPIB local lockout is active).

- PULSE WIDTH — turns the pulse width measurement on or off. The result is displayed in the parameter display.
- PULSE PERIOD — turns the pulse period measurement on or off. The result is displayed in the parameter display.

#### NOTE

---

*When DISPLAY DELAY, PULSE WIDTH, or PULSE PERIOD are enabled, the frequency display is limited to 100 kHz resolution and the parameter is displayed in the three rightmost digits (the parameter display). If Special Function 69 is active when the parameter is enabled, frequency is not displayed and the parameter occupies the entire display.*

---

- RESET — resets the converter and restarts the signal acquisition process. If a signal is found, a measurement is taken, even if the counter is in HOLD.
- TRIG — begins a new measurement cycle. If a measurement cycle is in progress, it is aborted and a new cycle is begun.

## THEORY OF OPERATION

The Phase Matrix 585C/588C Pulsed Microwave Frequency Counters are able to automatically measure the frequency of repetitive pulsed signals as well as CW signals. Pulse widths from 50 nanoseconds to 1 second and pulse periods from 250 nanoseconds to 1 second are measured to a resolution of 10 ns. Using an inhibit input, the instruments can profile pulsed or chirped CW signals using gates as narrow as 15 ns. No manual switching is required to select CW or pulse signal measurement. The frequency range of the 585C is 100 Hz to 20 GHz. The frequency range of the 588C is 100 Hz to 26.5 GHz and can be extended by option up to 170 GHz.

Microprocessor control and the unique architecture permit not only the major counter functions such as frequency offsets, frequency range limits, and averaging capabilities, but also a variety of special functions such as internal diagnostics, calibration and test aids, and sophisticated operational enhancements. All primary and background functions are fully programmable.

## FUNCTIONAL DESCRIPTION

In the following description, the Phase Matrix 585C/588C is divided into two major portions: the Basic Counter and the RF Converter. The RF Converter is further divided into the RF Band 0 Converter, the RF Band 1 Converter, and the RF Band 2 Microwave Converter. Theory of operation for the Band 3 mm wave converter is provided in the OPTIONS section.



## BASIC COUNTER

The Basic Counter, shown in Figure 3-6, receives input signals from all four bands and performs both frequency measurements and pulse parameter measurements (pulse width and pulse period). The basic counter can directly measure the frequency of signals from 100 Hz to 250 MHz.

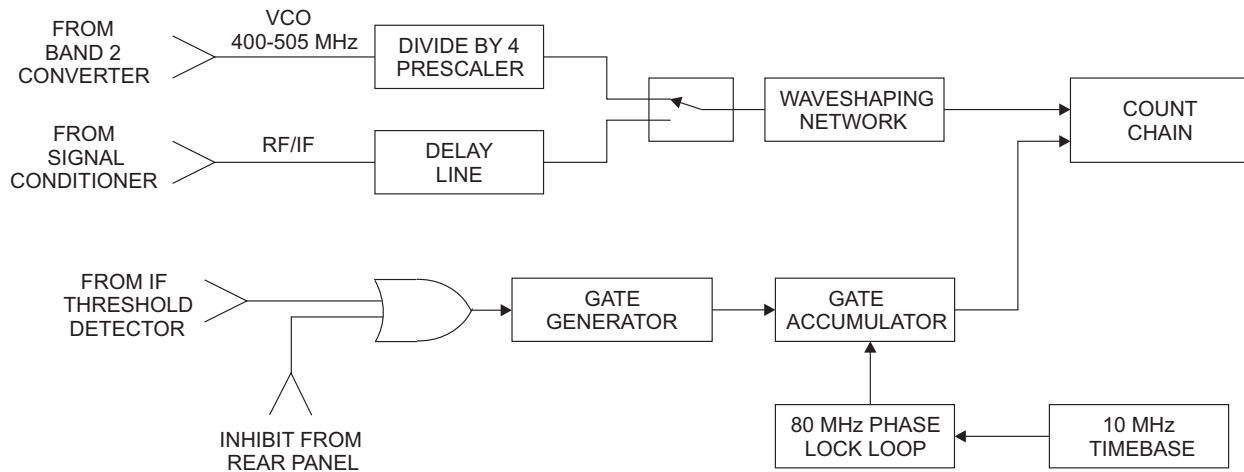


Figure 3-6. Block Diagram of Basic Counter

Overall operation of the counter is controlled by the CPU assembly. This assembly contains a Motorola 68B09 microprocessor, its control logic, the system memory, and the circuitry for the GPIB interface. It communicates with all other assemblies in the counter via a triple bus system: the data bus, address bus, and control bus. Each assembly (except for the Signal Conditioner and Gate Control) contains a peripheral interface adapter (PIA) that provides the interface between the bus system and the counter hardware. The basic counter performs frequency measurements by comparing the unknown signal to a reference frequency, namely the timebase. The standard timebase is a 10 MHz temperature compensated crystal oscillator (TCXO). An optional high-stability ovenized oscillator is also available for improved frequency accuracy. For coherence with system clocks, the counters have the capability of accepting an external 10 MHz reference via the rear panel 10 MHz IN/OUT connector.

A frequency measurement is made by generating a time interval (gate time) consisting of a number of cycles of the reference. This gate time is used as an interval during which the input signal is counted by the Count Chain assembly. This process is considerably more difficult for pulsed signals than it is for CW signals and must be accomplished as a two-step operation. The first step is to supply a gate to the Count Chain that is present only when an input signal is also present. The second step is to accumulate the total time during which the gate is applied, until the desired gate time is reached.

The first step requires that the gate begin after the signal is present at the Count Chain and end prior to the end of the signal. This is accomplished by generating a gate approximately 30 ns shorter than the RF signal. The arrival time at the Count Chain of the IF from the converter is then controlled by a delay line so the gate signal falls entirely within the IF pulse width.

The second step is accomplished by counting reference clock pulses whenever the gate is open until a total time equal to  $\frac{1}{\text{Resolution}}$  is obtained. This requires that each gate opening be an exact integral number of clock pulses. Since an 80 MHz clock is being used, the gate is always an exact multiple of 12.5 ns.

Pulse widths are measured by detecting the signal and counting the number of zero crossings of the phase locked VCO signal (prescaled by 4) that occur while the signal is present. The microprocessor then calculates the pulse width by multiplying the number of zero crossings by the period of the VCO signal. Pulse period measurements are made using a similar technique, except that the counter counts zero crossings during the time from the rising edge of one pulse to the rising edge of the next pulse.

## RF CONVERTER

### Band 0 RF Converter (CW Only)

Figure 3-7 is a block diagram of the Band 0 RF converter.



Figure 3-7. Band 0 RF Converter Block Diagram

Signals between 100 Hz and 250 MHz are counted directly. The gate width is set according to a specified resolution (from resolution 0 to resolution 6).

### Band 1 RF Converter

Figure 3-8 is a block diagram of the Band 1 RF converter.

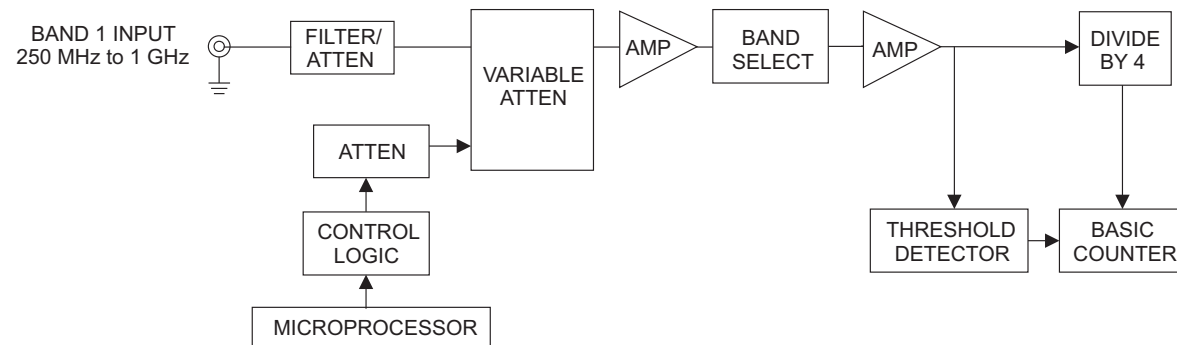


Figure 3-8. Band 1 RF Converter Block Diagram

Signals between 250 MHz and 1 GHz are prescaled by four before reaching the basic counter. The gate is therefore made four times longer to properly count the prescaled signal. During signal acquisition, the counter monitors the RF detector, and when a signal is detected, the RF gain is



adjusted to set the level of the IF 6 dB above threshold. The signal is then counted. After every measurement, the RF gain is readjusted to ensure rapid tracking of a moving signal (see Figure 3-9).

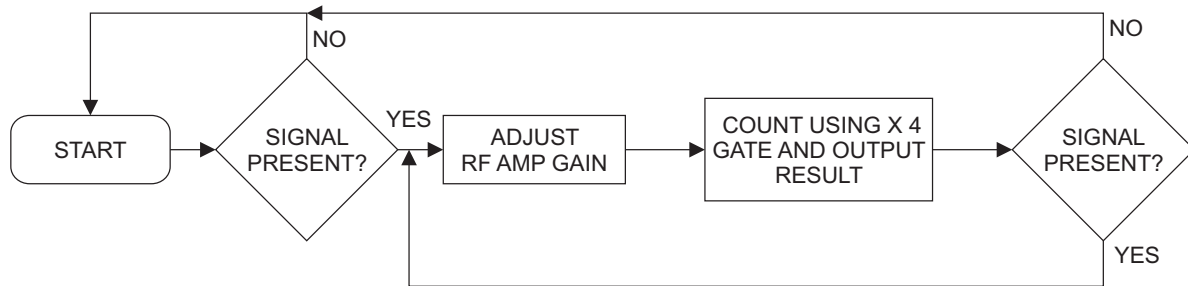


Figure 3-9. Band 1 RF Converter Lock Process Flow

### Band 2 RF Microwave Converter

Frequency measurement in the microwave band is accomplished using a narrow bandpass microwave filter to eliminate all but the desired signal and then downconverting that signal to an IF of approximately 120 MHz. Figure 3-10 is a block diagram of the Band 2 converter, and Figure 3-11 is a flow diagram showing converter operation. The microwave filter consists of two sections of Yttrium Iron Garnet (YIG) crystal material that produces a bandpass filter approximately 20 MHz wide whose center frequency is tunable from 1 GHz to 26.5 GHz.

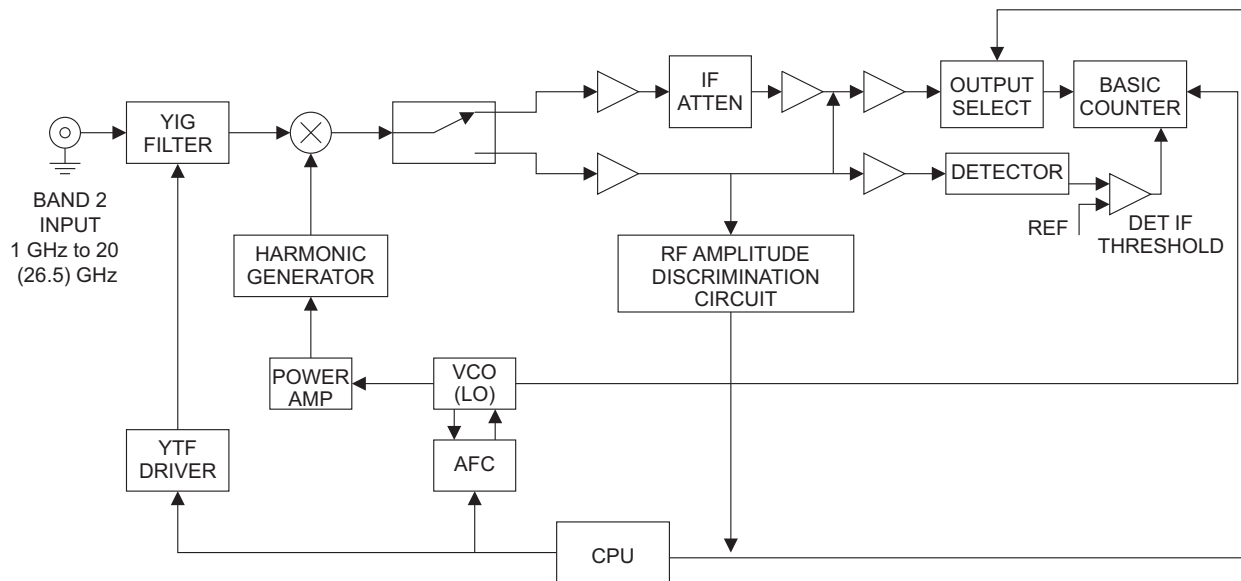
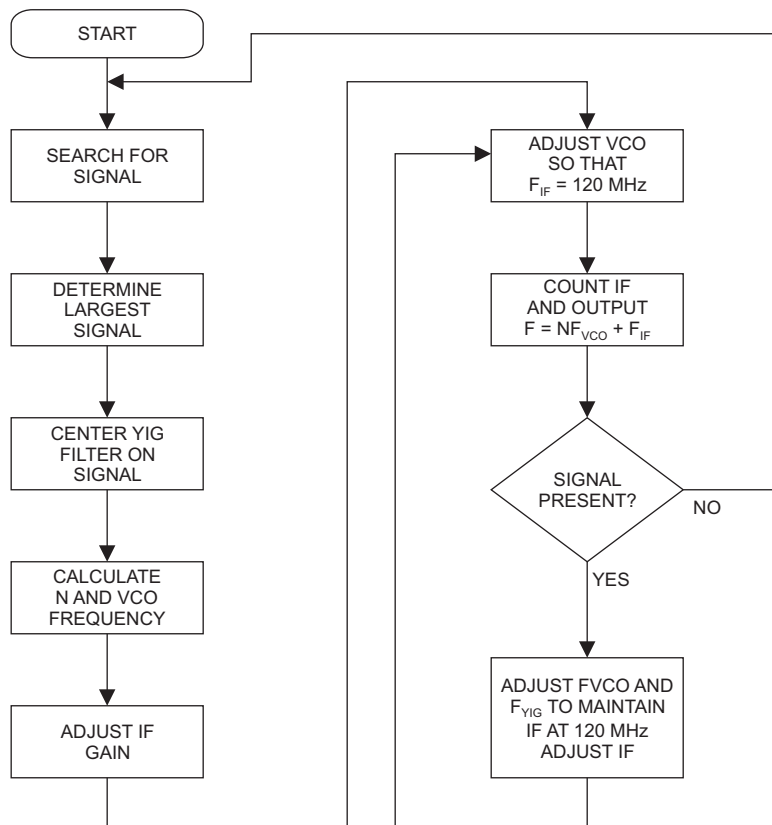


Figure 3-10. Band 2 Block Diagram

The actual process of signal measurement in the microwave band is accomplished using a series of steps:

1. Search for the largest signal.
2. Center the YIG on the largest signal.
3. Calculate the harmonic number and required VCO frequency for the local oscillator (LO).
4. Adjust the IF gain.
5. Measure the IF.
6. Perform calculations.
7. Output measurement results.



**Figure 3-11. Band 2 Operation Flow Diagram**

During the search routine the counter selects the largest signal present within the selected, or default, range of the band 2 input. During this routine, the electronically tunable microwave bandpass YIG filter is being continuously stepped from its low to high limits. The output from the YIG filter is applied to the mixer, which is used as an RF detector. The output from the mixer is applied to the video amplifier which feeds a flash A/D converter, with a resolution of approximately 5 dB. When the counter detects a signal, the YIG DAC setting and relative amplitude of the signal (output from the flash A/D) is stored in memory, and the search routine continues. If other signals are detected, their relative amplitudes are compared with the stored information. If the new signal



is higher in amplitude, the memory is updated with information on the new signal. After searching the entire band, the YIG DAC setting and relative amplitude of the highest signal present are stored in memory.

The next step is to precisely center the YIG on the selected signal. This process begins by moving the YIG to the signal selected during the search routine. The YIG is then stepped in 2 MHz steps around the signal until four points are found: the points on either side of the peak 1.25 dB down from the peak and the points on either side of the peak 5 dB down from the peak. From these points the approximate “center of mass frequency” of the signal is found, and the YIG filter is set to that frequency. The “center of mass” algorithm compensates for pulsed signals that deviate from perfect  $\sin X/X$  shape and for nonsymmetries in the YIG filter.

After the YIG is centered on the signal, the harmonic number  $N$  is calculated based on the setting of the YIG filter using the following formula:

$$N = \frac{F_{YIG} - 120 \text{ MHz}}{500 \text{ MHz}}$$

The resulting  $N$  is rounded up to the next higher integer. At this point low side mixing ( $NF_{VCO} < F_{IN}$ ) is assumed, and the proper VCO frequency is calculated using the formula:

$$F_{VCO} = \frac{F_{YIG} - 120 \text{ MHz}}{N}$$

If the results yield a VCO frequency which is less than 400 MHz (the minimum VCO frequency), high side mixing is assumed, and  $F_{VCO}$  is recalculated using the formula:

$$F_{VCO} = \frac{F_{YIG} + 120 \text{ MHz}}{N}$$

At this point the IF gain is adjusted to set the signal level approximately 6 dB above signal threshold.

Since  $F_{YIG}$  is only approximately equal to  $F_{IN}$ , the IF frequency ( $F_{IF}$ ) is not exactly 120 MHz. , therefore, the next step is to adjust the  $F_{VCO}$  to shift  $F_{IN}$  to the center of the IF passband at 120 MHz. This is done by counting  $F_{IF}$  and recalculating  $F_{VCO}$  based on the following formula:

$$F_{VCO} = \frac{F_{YIG} \pm F_{IF}}{N}$$

Where  $+F_{IF}$  is used if high side mixing and  $-F_{IF}$  is used if low side mixing.



Once the VCO corrections have been made, the counter counts the IF and calculates the input frequency using the following formula and then displays the results:

$$F_{IN} = N \times F_{VCO} \pm F_{IF}$$

Where:

N = Harmonic number

$F_{VCO}$  = VCO frequency

$\pm$  = + for low side mixing and – for high side mixing

After each measurement, new frequencies for the YIG and VCO are calculated to maintain the IF at 120 MHz, and the IF gain is readjusted to keep the signal 6 dB above threshold. This method provides rapid tracking of a signal being tuned.

## SIGNAL MEASUREMENTS

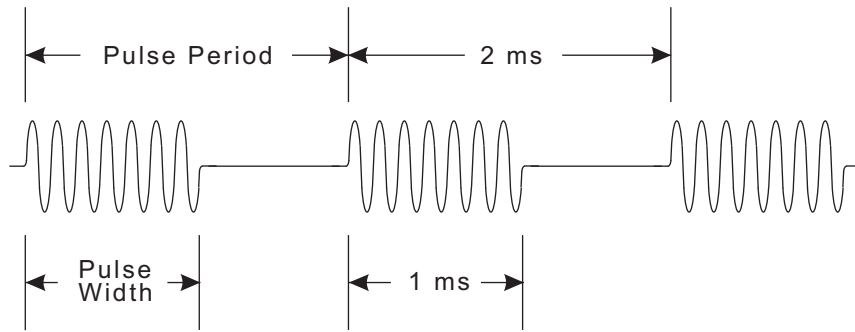
### AUTOMATIC FREQUENCY MEASUREMENTS

The Phase Matrix 585C and 588C Pulsed Microwave Frequency Counters can automatically measure the frequency of CW and repetitive pulse signals having pulse widths as narrow as 50 ns.

To measure the frequency of a CW signal, apply the signal to the input connector that corresponds to the frequency being measured and select the appropriate band. The counter then automatically finds the signal, measures it, and displays the measured frequency.

The average frequency of repetitive pulse signals is measured in much the same way as CW signals. The only difference is that for pulse signals with pulse repetition frequencies of less than 2 kHz, the minimum pulse repetition frequency must be entered into the counter using the MINPRF key on the front panel. If the MINPRF is not set at or below the minimum pulse repetition frequency of the signal to be measured, the counter is unable to lock on the signal.

As an example, consider the signal shown in Figure 3-12 (page 3-24). The signal is a 2 GHz signal with a pulse width of 1 ms and a pulse period of 2 ms. Since the pulse repetition frequency is the reciprocal of pulse period, the minimum pulse repetition frequency of the signal shown is 500 Hz. Since this is less than 2 kHz, it must be entered into the counter. To enter a minimum pulse repetition frequency of 500 Hz into the counter, press the MIN PRF key followed by the 5 key, the 0 key, and the 0 key; then terminate the sequence with the Hz terminator key. If the signal at this point is applied to the Band 2 input connector and Band 2 is selected, the counter would automatically find the signal and display the frequency on the front panel.



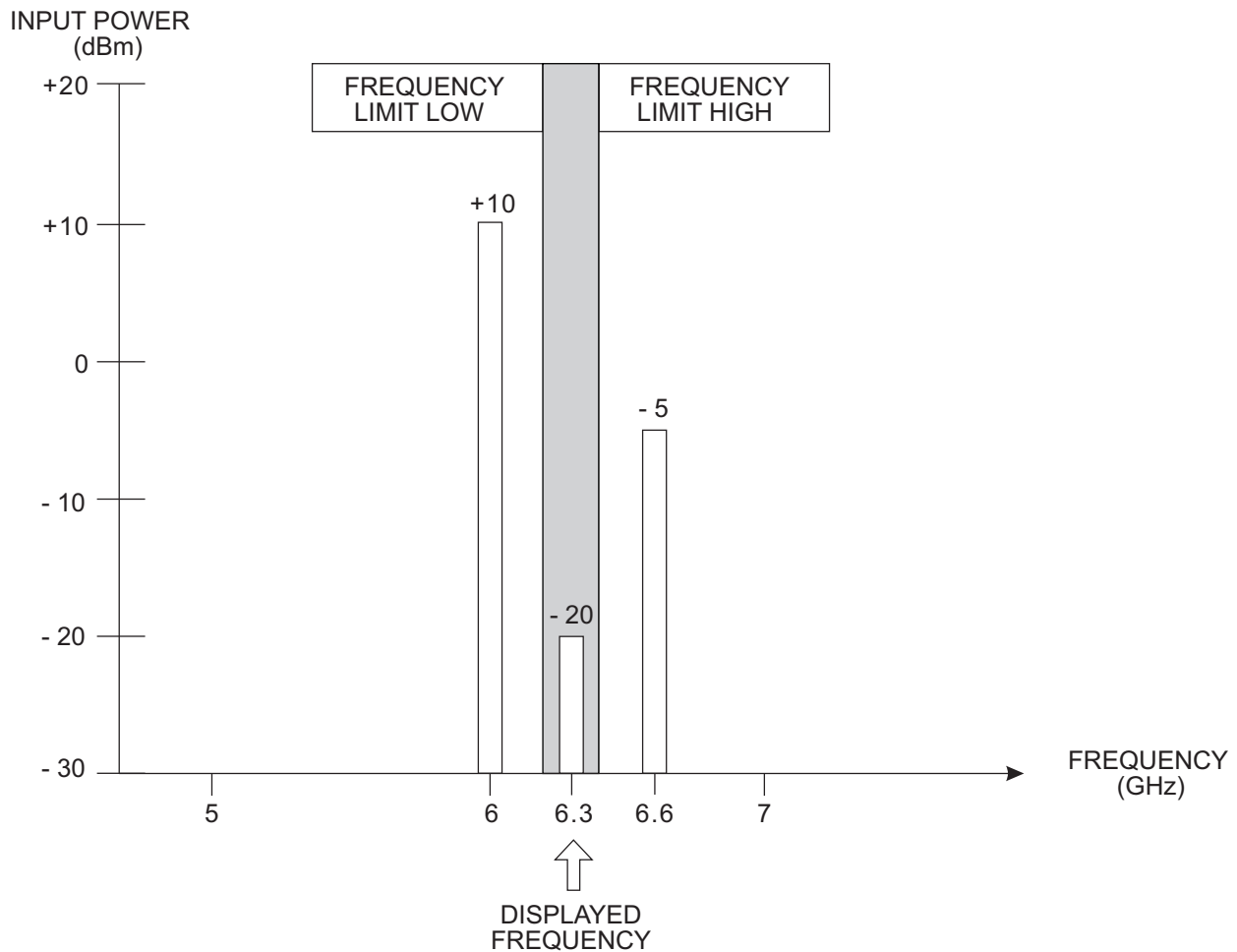
**Figure 3-12. Pulsed Signal**

These counters can also automatically measure both the pulse width and the pulse period of the incoming signal to a resolution of 10 ns. This is accomplished by pressing either the PULSE WIDTH key to measure the pulse width or the PULSE PERIOD key to measure the pulse period.

### **MULTIPLE SIGNAL MEASUREMENTS**

In actual microwave environments, there are often multiple signals present. In a multi-signal environment, the counter automatically finds and measures the largest signal (as specified by amplitude discrimination).

In Band 2, the counter can also measure signals other than the largest signal present. This is accomplished by setting frequency limits around the desired signal. Figure 3-13 (page 3-25) shows an example of the frequency limits feature.



**Figure 3-13. Frequency Limits**

If the signals shown in Figure 3-13 are applied to Band 2, the counter automatically finds the signal at 6 GHz since it is the largest signal. If it is desired to measure the signal at 6.3 GHz set the frequency limit low to 6.2 GHz and the frequency limit high to 6.4 GHz. This prevents the counter from seeing either the signal at 6 GHz or the signal at 6.6 GHz.

The counter also provides a center frequency mode which is used in combination with  $\Delta F$ . In this mode, the counter searches around the entered center frequency  $\pm$  the entered  $\Delta F$ . For example, if the center frequency in Figure 3-14 (page 3-26) is set to 8 GHz, and  $\Delta F$  is set to 1 GHz, the counter searches  $\pm 1$  GHz around the center frequency and measures the signal at 8 GHz.

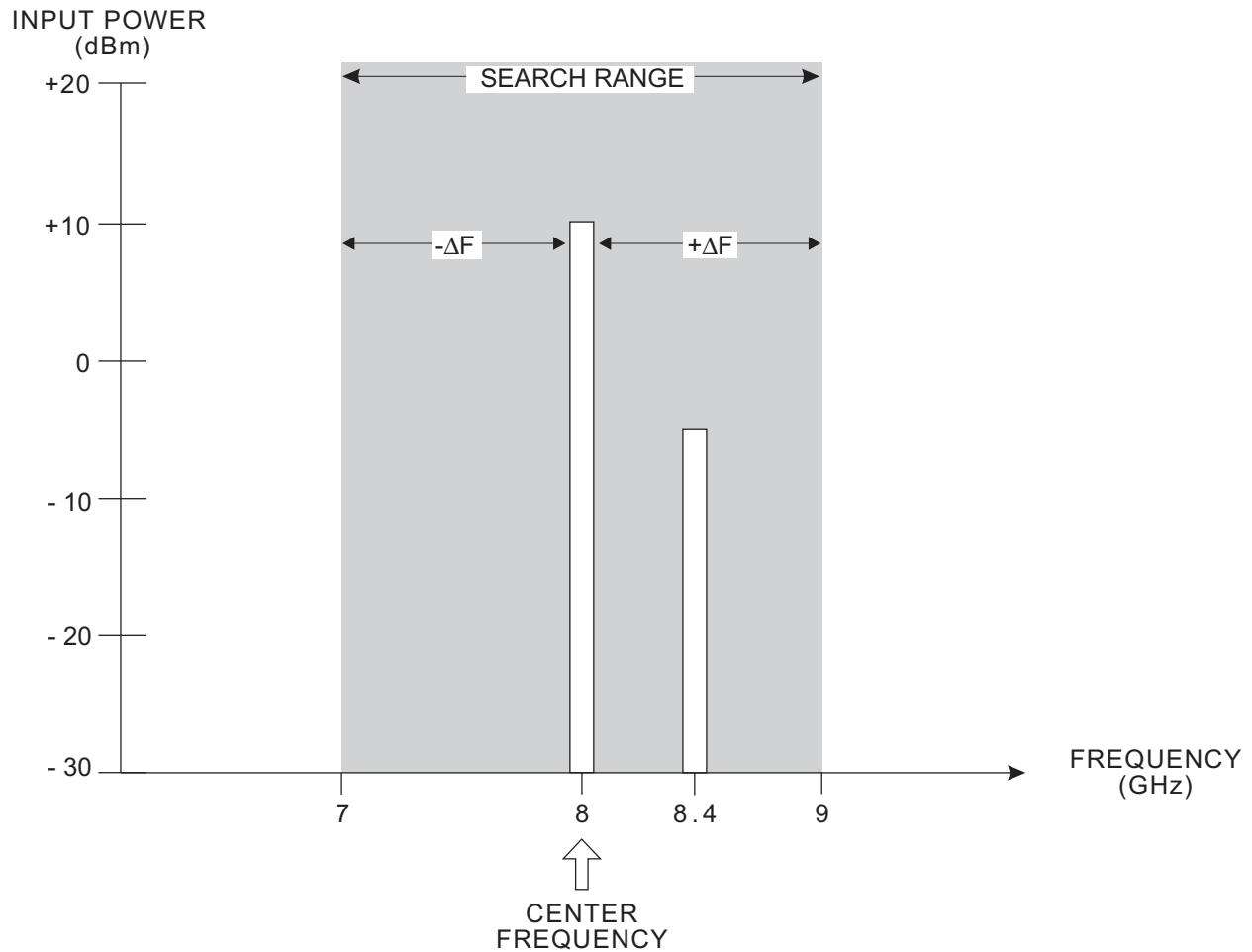
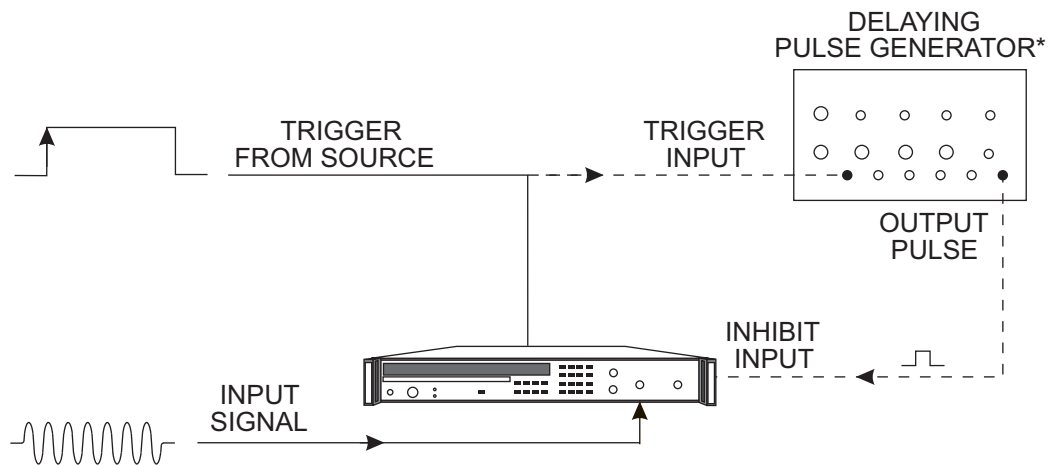


Figure 3-14. Center Frequency

### PULSE PROFILING

Automatic pulsed frequency measurements determine the average frequency across a pulse. In some cases, however, additional information may be required. For example, a pulsed magnetron may exhibit substantial frequency shift near the leading and trailing edges of the pulse. Other specialized pulsed signals are intentionally ramped in frequency. Repetitive frequency variations across a pulsed signal can easily be measured using the counter and either an external delaying pulse generator or the optional internal delaying pulse generator. Figure 3-15 (page 3-27) shows a typical setup for profiling frequency changes across a pulsed signal.

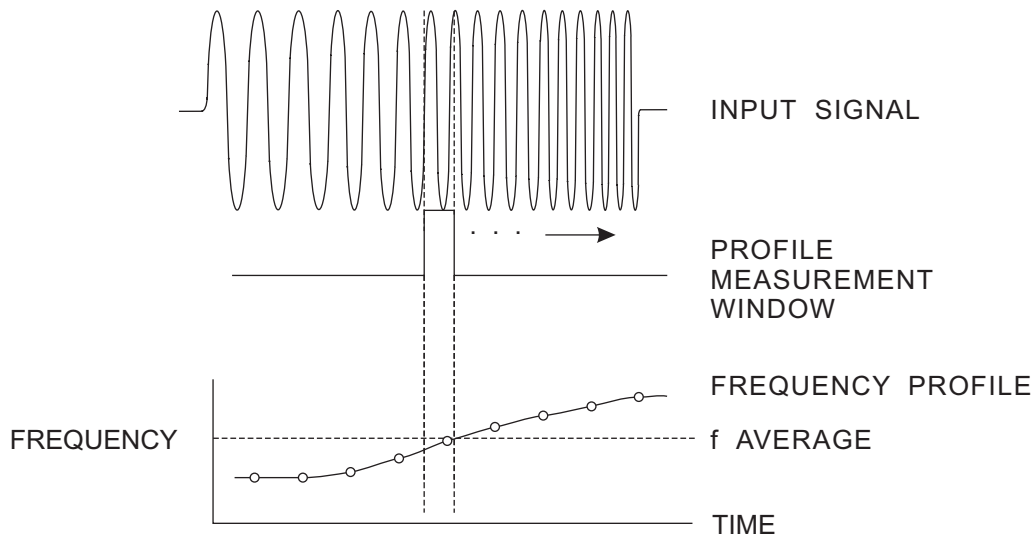


\* External pulse generator is not required if Option 5810, Internal Delaying Pulse Generator, is installed.

**Figure 3-15. Pulse Profile Measurement Test Setup**

The output pulse of the signal generator is used as an enable input to the counter. As the pulse delay is varied, the measurement window can be “walked” through the pulse. A plot of frequency-versus-delay gives the frequency-versus-time profile of the pulse directly, as shown in Figure 3-16.

The width of the measurement window is determined by the width of the pulse generator output. Measurement windows as narrow as 15 ns can be used, although wider windows yield higher accuracy.



**Figure 3-16. Pulse Profile Measurement**



With the optional internal delaying pulse generator, frequency profiling is further simplified. For example, consider the repetitive pulsed signal shown below, which is ramping from 5 GHz to 5.2 GHz.

Using the delaying pulse generator in the 585C/588C counter, this signal can be profiled either manually or automatically. When profiling a pulsed signal, the change in frequency across the measurement window must be less than 20 MHz to ensure that the signal passes through the input YIG filter. The signal shown in Figure 3-17 is changing frequency at a rate of 2 MHz per  $\mu\text{s}$ , so the maximum width of the measurement window should be less than 10  $\mu\text{s}$ .

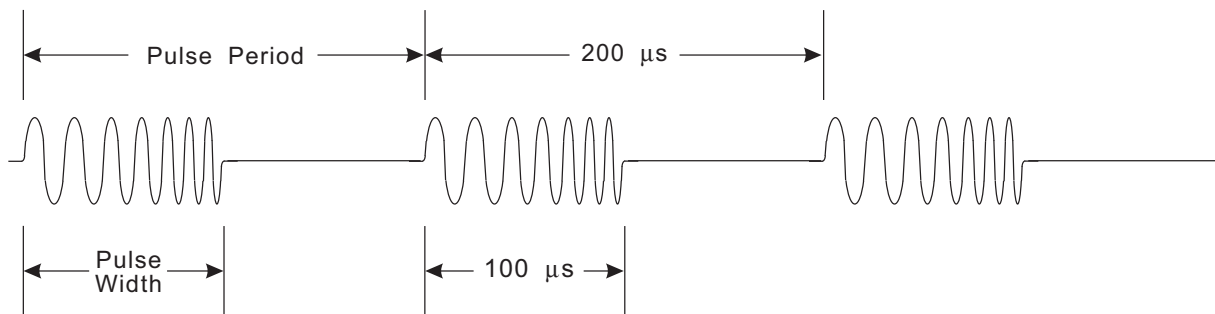


Figure 3-17. Frequency Profiling

To profile the signal shown in Figure 3-17 manually, perform the following steps:

1. Set MINPRF to default (2 kHz) using the MINPRF key.
2. Connect your trigger source to the trigger input on the rear panel.
3. Set the measurement window to 5  $\mu\text{s}$  using the Pulse Generator Width key.
4. Set the delay to the minimum delay, of 75 ns, using the Pulse Generator Delay key.
5. Setup the pulse generator to trigger from external trigger input by pressing the Pulse Generator Mode key and entering 1.
6. To minimize signal acquisition time, set frequency limit low at 4.5 GHz and frequency limit high at 5.5 GHz.

The counter automatically finds the signal and displays the average frequency over the 5  $\mu\text{s}$  measurement window beginning 75 ns after the rising edge of the pulse. The frequency can be measured anywhere along the pulse by changing the delay time of the pulse generator.

To profile the signal shown in Figure 3-17 automatically, perform the following steps:

1. Set MINPRF to default (2 kHz) using the MINPRF key.
2. Connect your trigger source to the trigger input on the rear panel.
3. Set the measurement window to 5  $\mu\text{s}$  using the Pulse Generator Width key.
4. Set the delay to the minimum delay, of 75 ns, using the Pulse Generator Delay key.

5. Set up the pulse generator to trigger on the external signal by pressing the Pulse Generator Mode key and entering 1.
6. To minimize signal acquisition time, set frequency limit low at 4.5 GHz and frequency limit high at 5.5 GHz.
7. Put the counter in hold by turning the sample rate control fully clockwise.
8. Enable the auto profile function by pressing Special Function 77. The counter displays “Inc” (increment) in the three least significant digits of the display.
9. Enter a measurement window increment of 5  $\mu\text{s}$ .
10. The counter displays “End” in the three least significant digits of the display. Enter an end delay of 99  $\mu\text{s}$ .

The counter automatically finds the signal and displays the average frequency over the 5  $\mu\text{s}$  measurement window beginning 75 ns after the rising edge of the pulse. Press the “Trig” key to increment the measurement window by 5  $\mu\text{s}$ . Each time the “Trig” key is pressed, the measurement window is incremented by 5  $\mu\text{s}$  until the end delay is reached. Press the “Display Delay” key to display the delay.

Frequency profiling can be easily automated using Special Function 77 and a computer.

### VCO SETTLING TIME MEASUREMENTS

Many complex signals are not pulsed at all, but are continuous signals with frequencies that vary repetitively over time. One example is a settling time measurement of a voltage controlled oscillator (VCO). When a voltage step is applied to the tuning voltage input on a VCO its output frequency changes to reflect the voltage change on the tuning input. However, as shown in Figure 3-18, it takes the VCO a finite amount of time to settle in at the new frequency. The amount of time it takes for the VCO to settle in at the new frequency within some predetermined limits is specified as its settling time. A typical VCO settling time specification would require that the frequency output be within  $\pm 10$  MHz of the settled frequency within 1 ms after the voltage step is applied to the tuning input on the VCO.

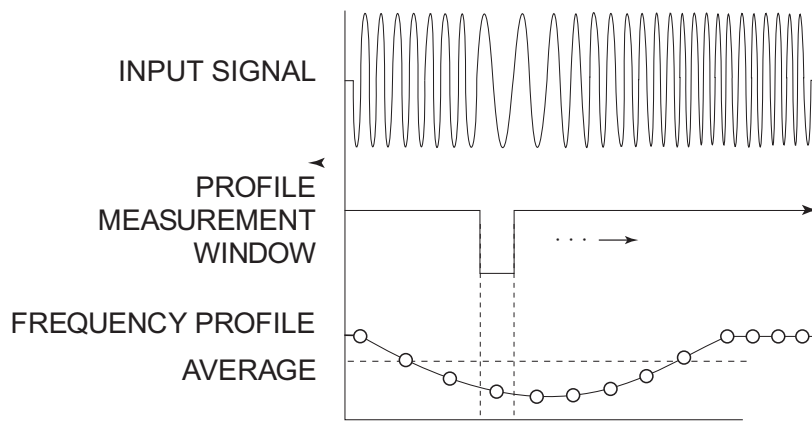
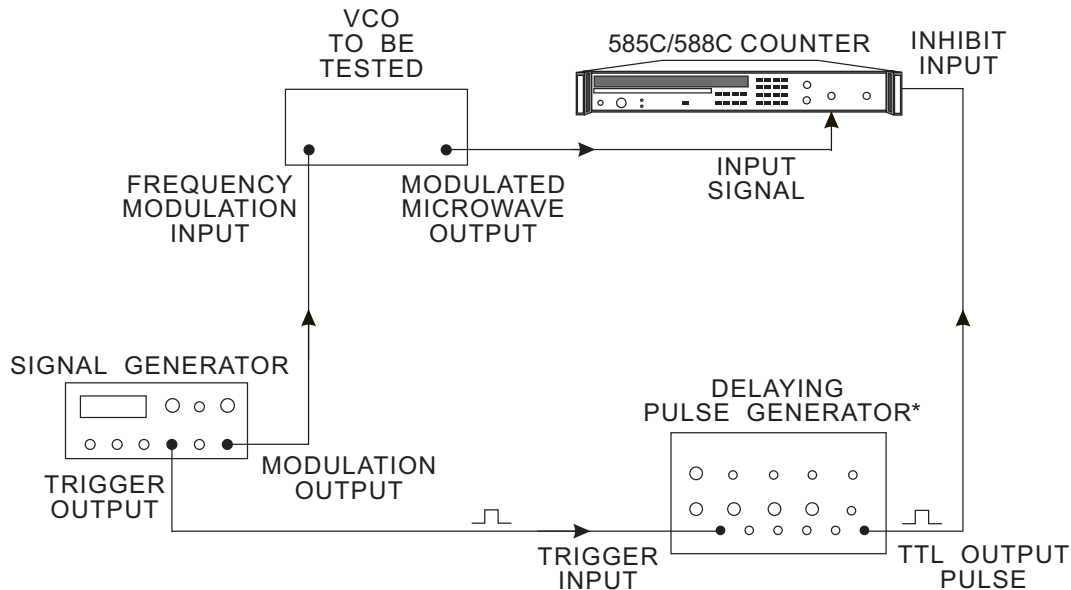


Figure 3-18. VCO Settling Time Measurements



VCO settling time measurements can easily be made using the counter and a delaying pulse generator (either external or the optional internal delaying pulse generator), as shown in Figure 3-19.



\* External pulse generator is not required if Option 5810, Internal Delaying Pulse Generator, is installed.

Figure 3-19. Time Varying Signal Measurement Test Setup

With the equipment set up as shown in Figure 3-19, the signal generator provides a repetitive frequency step, square wave modulation, to the VCO under test. The trigger output from the signal generator, triggers the delaying pulse generator which in turn provides a measurement window to the counter. The counter measures the VCO during this measurement window. Changing the delay time of the delaying pulse generator, moves the measurement window and allows the frequency of the VCO to be measured at any point in time relative to the trigger from the signal generator.

Using the optional internal delaying pulse generator further simplifies the setup. For this setup, the trigger from the signal generator is connected directly to the trigger input on the counter and the internal delaying pulse generator provides the measurement window.

### FREQUENCY AGILE PULSE MEASUREMENTS

Another type of measurement is that of a repetitive sequence of pulses that differ in frequency. In this case, it is desirable to measure the frequency of each pulse in the sequence separately. The same test setup as shown in Figure 3-19 is required, with the trigger pulse synchronous with the sequence. In this measurement, the input inhibit is used to discriminate between pulses. The enabling pulse can be slightly wider than the pulse to be measured. By shifting the delay time of the enabling pulse, the user can measure each input pulse of the sequence separately.



## TIMING CONSIDERATIONS

The internal timing usually should be of no concern to the user. However, in applications where a few nanoseconds are significant, two factors of internal operation must be considered. These involve two areas. One factor is the measurement window width, and the other is synchronization with external signals.

### Measurement Window Width

The measurement window width is the period during which the gate is actually open to enable the counting of a signal. This gate width is typically 30 ns narrower than the pulse applied to the INHIBIT IN connector. The width of the gate is always an integral number of clock periods (12.5 ns). For applications where the measurement window must be known to an accuracy better than 20 ns, it is recommended that the gate output on the rear panel be observed on a high speed oscilloscope. The desired gate width may be set by varying the input inhibit pulse width. For accurate pulse representation, the oscilloscope input should be terminated in a 50  $\Omega$  load.

### Synchronization

When it is necessary to measure the signal frequency at a precise point in time, the internal delays of the measuring instrument can be significant. In the Phase Matrix 585C and 588C counters, the total delay between the time a signal is applied to an input connector and the time it is available to be counted is nominally 60 ns. The signal threshold output on the rear panel typically occurs 20 ns after the signal is applied. The gate signal at the rear panel occurs at the measurement time with virtually no delay. In other words, when absolute time positioning of a signal is required, it is necessary to consider that the gate signal (representing the measurement period) is actually making a measurement of the signal which appeared at the input connector 60 ns earlier. If the signal threshold output is used as an indication of input signal, then it occurs 40 ns prior to measurement. Figure 3-20 (page 3-32) shows the relative timing of these signals for a pulsed input signal. Timing, however, is not a function of input signal characteristics.

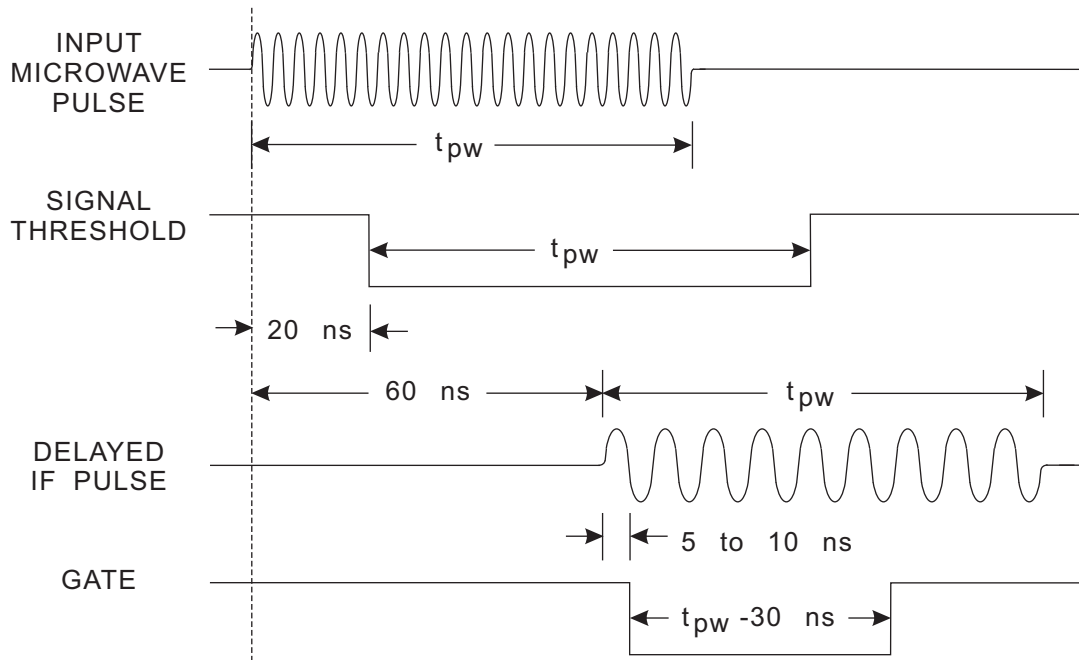


Figure 3-20. Internal Timing Delays

### ACCURACY

When making any type of measurement, some degree of measurement error exists. In Phase Matrix's CW type frequency counters, as with most other CW counters, these errors are limited to a combination of timebase error, gate phasing error ( $\pm 1$  count), and gate width error. In making frequency measurements on pulsed RF signals, the preceding errors, along with one additional error due to distortion of the pulsed RF signal, affect measurement accuracy. To minimize these errors and to properly interpret the results of the measurements, the magnitude of these errors must be known.

### NOTE

A Microsoft® Excel® spreadsheet that automatically calculates pulse accuracy and acquisition/measurement times is available for download from the Phase Matrix Web site. To download the spreadsheet, point your Web browser to <<http://www.phasematrix.com/prodpages/58XC.html>>, and click the link for the Pulse Calculator (note where you select to have the file saved on your hard disk). When the download is complete, run eippulse.exe. Select the location on your hard drive where you want to save the Pulse Calculator spreadsheet, open the spreadsheet in Excel, and follow the directions.

## CW MEASUREMENT ACCURACY

When measuring CW signals the measurement accuracy is specified as:

Total error = timebase error  $\pm 1$  count  
(Based on measurement averaging)

Timebase error causes an error in the measured frequency proportional to the error in the timebase oscillator. For example, if the 10 MHz oscillator is off frequency by 3 Hz, the corresponding measurement error on a 1 GHz signal would be 300 Hz. For an 18 GHz signal, the same 3 Hz error in the timebase would cause a measurement error of 5.4 kHz. The maximum error in the timebase is the sum of the various possible errors, such as aging rate and temperature stability.

The second type of error,  $\pm 1$  count, is due to the lack of phase coherence between the gate and the signal. Simply stated, if an event occurs every 400 ms ( $F = 2.5$  Hz), a counter could measure either 2 or 3 events in a one second interval.

The above note “based on measurement averaging” is included due to a random instrumentation error in the counter. This error can be virtually eliminated by averaging measurements.

## PULSE MEASUREMENT ACCURACY

Each of the sources of CW measurement error contributes to the overall error in pulsed frequency measurements, along with gate error and distortion error. For narrow pulses, the gate phasing error, referred to as averaging error, and gate error can become the dominant sources of error for pulse measurements. The following list describes the source of potential measurement errors when using the Phase Matrix 585C and 588C counters.

### TIMEBASE ERROR

A frequency error in the timebase reference oscillator results in a proportional frequency measurement error. Two main sources of timebase error are aging rate and temperature stability. Aging rates of less than  $1 \times 10^{-7}$  parts per month, and temperature stability of  $1 \times 10^{-6}$  over the range of 0 to 50° C, are standard on the 585C and 588C counters. An optional ovenized time base provides improved aging rates and temperature stability. The following are sample calculations for determining the measurement error of the counter, based on the timebase aging rate.

Given:

Aging rate:  $1 \times 10^{-7}$ /month  
Calibration interval: 6 months  
Frequency: 20 GHz ( $2 \times 10^{10}$  Hz)



Calculation:

$$\begin{aligned}\text{Error} &= \pm (\text{aging rate} \times \text{cal. interval} \times \text{frequency}) \\ &= \pm \left( \frac{1 \times 10^{-7}}{\text{mo.}} \right) \times 6 \text{ mo.} \times (2 \times 10^{10} \text{ Hz}) \\ &= \pm (6 \times 10^{-7}) \times (2 \times 10^{10} \text{ Hz}) \\ &= \pm 12 \times 10^3 \text{ Hz} \\ &= \pm 12 \text{ kHz}\end{aligned}$$

Counter measurement, after a six-month calibration interval, could have an error of  $\pm 12$  kHz in measuring a 20 GHz signal.

Given:

Aging rate:  $1 \times 10^{-7}$ /month  
Calibration interval: 12 months  
Frequency: 20 GHz

Calculation:

$$\begin{aligned}\text{Error} &= \pm (\text{aging rate} \times \text{cal. interval} \times \text{frequency}) \\ &= \pm \left( \frac{1 \times 10^{-7}}{\text{mo.}} \right) \times 12 \text{ mo.} \times (2 \times 10^{10} \text{ Hz}) \\ &= \pm (12 \times 10^{-7}) \times (2 \times 10^{10} \text{ Hz}) \\ &= \pm 24 \times 10^3 \text{ Hz} \\ &= \pm 24 \text{ kHz}\end{aligned}$$

Counter measurement after the recommended 12-month calibration interval could have an error of  $\pm 24$  kHz in measuring a 20 GHz signal due to timebase aging.

These examples are to illustrate error due to the timebase aging rate only. Actual calculations of measurement error must include the other sources of error discussed in the following text.

#### **AVERAGING ERROR**

This error is caused by the relative timing between the gate and the incoming signal and results in an uncertainty of  $\pm 1$  count in the least significant digit of each measurement. If the counter resolution is set to 10 kHz, then the potential error is  $\pm 10$  kHz. On signals having pulse widths less than the required gate time (determined by the resolution), the counter generates more than one gate per measurement cycle. If the counter generates N number of gates, then an uncertainty of  $\pm N$  counts is possible, though very unlikely. The resultant averaged measurement follows the rules of statistics in that, on successive gates, the  $\pm 1$  count error varies randomly. In fact, most of the

readings (63%) fall between  $\pm$  the square root of N, where N is the number of gates required to accumulate the required gate time. This is called the RMS averaging error. In the following formulas,  $N = \frac{RES}{GW}$ . It should be noted that the total gate time is typically 30 ns narrower than the input pulse. The RMS averaging error, in Hz, can be calculated using the following formulas:

$$\text{Bands 1 and 3: averaging error (RMS)} = \pm 2 \sqrt{\frac{RES}{GW}}$$

$$\text{Band 2 : averaging error (RMS)} = \pm \sqrt{\frac{RES}{GW}}$$

Where RES is the specified instrument resolution in Hz, up to 1 MHz. Above 1 MHz, RES is always 1 MHz. GW is the logical AND of the pulse width and the inhibit signal minus 30 ns. See Figure 3-21 for a graphic description of the logical AND function.

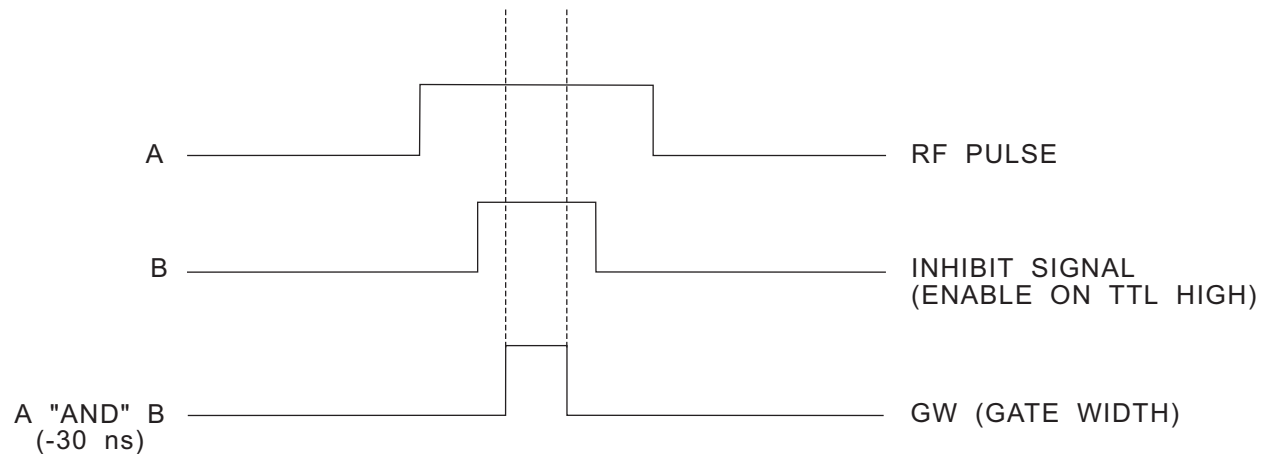


Figure 3-21. Logical "AND" Function

#### GATE ERROR

When narrow pulses are counted, the gate is opened and closed many times in order to accumulate enough gate time to provide the required resolution. Each time the gate opens and closes, there is a small but finite error. The total error is proportional to the number of times the gate is cycled during a measurement, and is inversely proportional to the gate width. This error is also related to both temperature and input frequency.

In the 585C and 588C counters, the worst-case gate error, including all variables, is specified as:

$$\text{Band 1: gate error} = \pm \frac{0.07}{GW}$$

$$\text{Band 2: gate error} = \pm \frac{0.01}{GW}$$

$$\text{Band 3: gate error} = \pm \frac{0.03}{GW}$$



Where  $GW$ , in seconds, is the logical AND of the pulse width and the inhibit signal minus 30 ns (see Figure 3-21). Unlike averaging error, which is random, gate error is systematic, and is not reduced by averaging.

#### **DISTORTION ERROR**

During the first and last few nanoseconds of a pulse, phase distortion caused by impedance mismatches or video effects can occur, resulting in shifts in time of the zero crossing. On wide pulses, distortion error is insignificant; however, on narrow pulses it may become a dominant source of error. To reduce the effect of distortion error on count accuracy, the 585C and 588C counters automatically adjust the gate to start 15 ns after the pulse begins, and to end 15 ns before the end of the pulse. The specified maximum distortion error for all three bands can be calculated from the following formula:

$$\text{Maximum Distortion Error} = \pm \frac{0.03}{(PW-30 \text{ ns})}$$

Where  $PW$  = pulse width (minimum pulse width is 50 ns).

### **TECHNIQUES FOR IMPROVING ACCURACY**

In most cases, the specified counter accuracy is more than sufficient to meet measurement requirements. If greater accuracy is required, all four sources of error can be minimized by a combination of calibration, long term averaging, added correction factors, and signal conditioning.

#### **TIMEBASE CALIBRATION**

A frequency error in the internal timebase oscillator results in a proportional error in the frequency reading for either CW or pulsed signals. The aging rate of the standard internal timebase is specified to be less than  $1 \times 10^{-7}$  parts per month. This means that if the oscillator were set precisely on frequency at the beginning of the month, it could be 1 Hz off frequency at the end of the month. On a frequency measurement of 18 GHz, a 1 Hz error in the 10 MHz timebase would cause a measurement error of 1.8 kHz. Other errors can result from changes in ambient temperature. Measurement errors caused by the timebase can be reduced by adjusting the timebase (at the temperature it is used) using a standard of known accuracy. Another error reduction method is to use an external 10 MHz timebase with a known degree of accuracy, such as a 10 MHz frequency standard.

#### **REDUCING AVERAGING ERROR**

Averaging error is reduced to  $\pm 1$  count whenever the gate width ( $GW$ ) is greater than RES, where RES is the counter resolution in Hz. Since the averaging error is random in nature, it can also be reduced by increasing the number of individual gates. This can be accomplished by increasing the resolution of the counter and/or averaging a number of individual measurements. The counter allows 1 Hz maximum resolution and can automatically average up to 99 individual measurements internally. With the GPIB and a controller, the user can average a larger number of individual measurements, which virtually eliminate averaging error. The following formulas can be used to

determine the averaging error (RMS) when averaging a number of individual measurements.

$$\text{Bands 1 and 3: averaging error (RMS)} = \pm 2 \sqrt{\frac{\text{RES}}{(\text{GW})(\text{AVG})}}$$

$$\text{Band 2: averaging error (RMS)} = \pm \sqrt{\frac{\text{RES}}{(\text{GW})(\text{AVG})}}$$

Where **RES** is the specified instrument resolution in Hz, up to 1 MHz. Above 1 MHz, **RES** is always 1 MHz. **GW** is the logical AND of the pulse width and the inhibit signal minus 30 ns. **AVG** is the number of individual measurements to be averaged.

### REDUCING GATE ERROR

Gate error at any given frequency and pulse width can also be virtually eliminated by comparing a CW frequency measurement to a simulated pulsed frequency measurement and computing a correction factor due to gate error. This correction factor can then be added to, or subtracted from, the indicated pulsed measurement to obtain the corrected frequency. The CW signal should be the same frequency (within 25 MHz) as that of the actual pulsed signal to be measured. To simulate a pulsed signal, apply an enable signal (of the same width as the pulse to be measured) to the INHIBIT IN connector on the rear panel. A single measurement contains both averaging error and gate error. Averaging measurements reduces averaging error by the square root of the number of measurements averaged. If 100 measurements are averaged, the averaging error is reduced by a factor of 10. Gate error, and any residual averaging error, is the difference in reading between the pulsed and non-pulsed measurement of the same CW signal.

#### EXAMPLE:

Pulse frequency = 2 GHz

Pulse width = 2 ms

1. Apply a CW signal to the counter at 2 GHz  $\pm$  25 MHz and record the displayed frequency. This frequency is called F1.
2. Apply a TTL signal with a pulse width of 2 ms at the INHIBIT IN connector on the rear panel. Set the 585C/588C counter to average 99 readings. The frequency displayed on the counter is called F2.
3. Gate Error = F2 – F1

#### NOTE

*This procedure avoids errors associated with pulsed signal distortion and any possible pulling of the signal source. It should be noted that by using Special Function 92, gate error can also be automatically calibrated out of the system for a given pulse width and frequency. However, the calibration procedure may result in additional errors for other pulse widths or frequencies. For additional information on Special Function 92, see the Service Manual.*



### REDUCING DISTORTION ERROR

Since distortion error is most significant on the edges of the pulse, it may be reduced by using the counter inhibit feature to measure only in the middle of the pulse; however, measuring only the middle of the pulse narrows the gate, and gate error increases. For pulses less than 70 to 80 ns, this may add more error than it removes. The performance test section of the service manual describes a method of determining the magnitude of this error that can be used to determine the improvement in accuracy achieved by using the inhibit function.

### CALCULATING MEASUREMENT ACCURACY

The following is a sample calculation for determining the maximum specified measurement error for a typical pulse frequency measurement.

Given:

- Frequency: 18 GHz
- Pulse width: 530 ns
- Resolution: 100 kHz

- TIMEBASE ERROR (TBE) (Based on 6 Hz error from 10 MHz timebase) ----- ±10.8 kHz

$$TBE = (6 \text{ Hz}/10 \text{ MHz})(18 \text{ GHz}) = 10.8 \text{ kHz}$$

#### NOTE

---

*The direction of the timebase error is not specified, so it is not known whether the timebase error caused the indicated reading to be higher or lower. If the actual frequency of the timebase was 6 Hz high, then its period would be reduced and the counter would indicate a lower frequency.*

---

- RMS AVERAGING ERROR (AE) ----- ±45 kHz

$$AE \text{ (RMS)} = \pm \sqrt{\frac{RES}{(GW) (AVG)}}$$

Where RES = specified counter resolution, GW = (pulse width AND inhibit signal) – 30 ns, and AVG = number of measurements averaged.

$$AE \text{ (RMS)} = \pm \sqrt{\frac{100E3}{(500E-9) (99)}} = \pm 45 \text{ kHz}$$

#### NOTE

---

*To reduce the averaging error for this example, the measurement averaging feature of the counter was used. If it had not been used, the averaging error would have been ±450 kHz.*

---



- GATE ERROR (GE) (Worst-Case) ----- ±20 kHz

$$GE = \pm \frac{0.01}{GW}$$

Where GW = (pulse width AND inhibit signal) – 30 ns

$$GE = \pm \frac{0.01}{500E-9} = \pm 20 \text{ kHz}$$

- DISTORTION ERROR (DE) (Worst-Case) ----- ±60 kHz

$$DE = \pm \frac{0.03}{(PW-30 \text{ ns})}$$

Where PW = pulse width.

$$DE = \pm \frac{0.03}{(530 \text{ ns} - 30 \text{ ns})} = \pm 60 \text{ kHz}$$

- TOTAL ERROR = SUM OF INDIVIDUAL ERRORS ----- ±136 kHz

#### NOTE

*The total measurement error, as calculated above, is the worst-case error. The errors that make up the total error would not under normal circumstances be additive. Errors in opposite directions would offset one another, with the effect of reducing the total error.*

### MEASUREMENT ACCURACY WORKSHEET

The following worksheet can be used to determine the maximum specified measurement error for a particular application. To determine the specified maximum error, select the desired operating parameters and use the formulas given to determine the magnitude of each type of error.

Variables:

Frequency (F):

Pulse width (PW):

Counter resolution (RES):

#### SUM INDIVIDUAL ERRORS

- TIMEBASE ERROR

This error can be determined by accurately measuring the frequency at the rear panel 10 MHz IN/OUT connector. The frequency measured (F mea) is then used in the following formula to determine measurement error.

$$TBE = \frac{10 \text{ MHz} - F \text{ mea}}{10 \text{ MHz}} \times F$$

where F mea = measured timebase frequency and F = input frequency



- RMS AVERAGING ERROR

$$\text{Bands 1 and 3: AE (RMS)} = \pm 2 \sqrt{\frac{\text{RES}}{(\text{GW}) (\text{AVG})}}$$

$$\text{Band 2 : AE (RMS)} = \pm \sqrt{\frac{\text{RES}}{(\text{GW}) (\text{AVG})}}$$

Where RES = specified counter resolution in Hz up to 1 MHz. Above 1 MHz resolution, the counter's internal resolution remains at 1 MHz. GW = (pulse width AND inhibit signal) – 30 ns and AVG = number of measurements averaged.

**NOTE**

---

*If GW is  $> \frac{1}{\text{RES}}$  then AE =  $\pm 1$  count.*

---

- GATE ERROR (Worst-Case)

$$\text{Band 1: GE} = \pm \frac{0.07}{\text{GW}}$$

$$\text{Band 2: GE} = \pm \frac{0.01}{\text{GW}}$$

$$\text{Band 3: GE} = \pm \frac{0.03}{\text{GW}}$$

Where GW = (pulse width AND inhibit signal) – 30 ns

- DISTORTION ERROR (Worst-Case)

$$\text{DE} = \pm \frac{0.03}{(\text{PW} - 30 \text{ ns})}$$

Where PW = pulse width

- 
- TOTAL ERROR = sum of individual errors

## SPECIAL FUNCTION DIRECTORY

The Phase Matrix Models 585C/588C provide a wide variety of special functions. These special functions are divided into three major categories:

1. Counter operation verification.
2. Counter setup and capability enhancements.
3. Calibration and troubleshooting aids.

The following special functions are used to verify proper operation. Special Function 01 is the most comprehensive because it tests most of the major subassemblies contained in the counter.

<b>Special Function</b>	<b>Description</b>
01	200 MHz Self Test
02	Light Display Segments Test
03	Scan Display Segments Test
04	Scan Display Digits Test
05	Keyboard Test
06	Prom checksum Test
07	Display Counter Model Number
76	EEPROM checksum Test

There are a wide range of special functions for counter setup and performance enhancement. The most commonly used setup special functions include 08, 72, 74, 81, and 90. The most commonly used performance enhancement special functions include 61, 63 and 77.

<b>Special Function</b>	<b>Description</b>
08	External Timebase Select
09	Internal Timebase Select
10	Internally Disconnect Pulse Generator from the Counter
11	Internally Connect Pulse Generator to Counter
12	Trigger Pulse Generator on Falling Edge
13	Trigger Pulse Generator on Rising Edge
61	Disable Input Signal Tracking
62	Enable Input Signal Tracking
63	Disable Sample Rate Control
64	Enable Sample Rate Control
65	Disable Results Display
66	Enable Results Display
67	Display Pulse Repetition Frequency (PRF)
68	Display Pulse Period
69	Display Pulse Parameter Measurements Only



<b>Special Function</b>	<b>Description</b>
70	Display Frequency and Pulse Parameter Measurements
72	Store Counter Setup and/or Default Values
73	Recall Counter Setup
74	Relative Frequency Readings
75	Display IF Frequency Readings
77	Enable Pulse Profile
78	Disable Pulse Profile
79	Enable Band 0 Low Pass Filter
80	Disable Band 0 Low Pass Filter
81	Measurement Averaging
82	Frequency Multiplier
83	Frequency Offset
87	Enable Constant Threshold
88	Disable Constant Threshold
90	Display/Alter GPIB address

The following special functions set up the counter in special modes to aid in troubleshooting or to initiate calibration routines. These functions should only be used by qualified technicians for calibration and repair.

<b>Special Function</b>	<b>Description</b>
20	Band 2 Detected RF Level
40	Sweep YIG DAC
41	Sweep VCO with VCO Power Amp On
42	Sweep VCO with VCO Power Amp Off
44	Disable Normal Operations
45	Enable Normal Operations
46	Display and/or Alter Memory
47	Measure IF Only
91	YIG DAC Automatic Calibration
92	Gate Accuracy Calibration
93	Calculate EEPROM Checksum

---

---

## ACTIVATION OF SPECIAL FUNCTIONS

### CAUTION

---



**Executing Special Function 46, 91, 92 or 93 can cause a loss of calibration data. To prevent this from occurring, access to these functions is blocked by an internal memory protect feature. Attempting to access these functions with the memory protected causes the counter to display “ERROR 53”.**

---

Special functions can be activated through both the front panel keyboard and the GPIB interface. To activate a special function through the keyboard, press the SPECIAL key followed by two digit keys. To activate a special function through the GPIB interface, enter the word SPECIAL followed by a two-digit number. Activating special functions does not alter any previously entered parameters unless specifically stated. To terminate all previously activated special functions: press the SPECIAL key and then the 0 key followed by the 0 key again; or, press the SPECIAL key followed by the CLEAR DATA key. To terminate all special functions using GPIB, issue the command SPECIAL 00.

---

---

### SPECIAL FUNCTION 01 - 200 MHz Self Test

---

---

This function verifies that the count chain, gate generator, and VCO are operational.

### NOTE

---

*The front-panel **TEST** button provides a convenient shortcut for accessing Special Function 01.*

---

When this function is entered, the counter:

1. Exits the current band
2. Sets the hardware to the self-test mode
3. Sets the VCO to 400 MHz (The measurement is the VCO divided by 2.)
4. Sets the counter to take frequency measurements only
5. Starts measurement cycles

The display shows the frequency measurement results. These results are output to the GPIB interface when frequency readings are requested. The measurement result should be 200 MHz  $\pm$  1 count.

STOP/RESET

SPC INDICATOR: ON



---

---

SPECIAL FUNCTION 02 - Light Display Segments Test

---

---

This function verifies that all the digit segments and annunciator LEDs are operational. When this function is activated, all digit segments and all annunciators are turned on. The GATE and the SEARCH annunciators are both on for the duration of the special function.

STOP/RESET

SPC INDICATOR: ON

---

---

SPECIAL FUNCTION 03 - Scan Display Segments Test

---

---

Each segment in all the digits and banks of annunciators is turned on sequentially by this function to test the display segment drivers. The scan rate is determined by the setting of the SAMPLE RATE control.

STOP/RESET

SPC INDICATOR: N/A

---

---

SPECIAL FUNCTION 04 - Scan Display Digits Test

---

---

Each digit and each bank of annunciators is turned on sequentially by this function to check the display digit driver. The scan rate is determined by the setting of the SAMPLE RATE control.

STOP/RESET

SPC INDICATOR: N/A

---

---

SPECIAL FUNCTION 05 - Keyboard Test

---

---

This function verifies the operation of the keyboard.

After this function is activated the counter stops normal operations and the display shows the key code of the last key pressed. When a new key is pressed, the display is updated to show the code of the new key. When the GPIB controller requests a key code, the code of the last key pressed is output. (If the controller requests a key code, the counter outputs to the GPIB interface the code of the last key pressed even if Special Function 05 is not activated). If the counter is in LOCAL, this function must be terminated by the CLEAR DISPLAY key. If it is in remote, this function can be terminated by any device-dependent command.

STOP/RESET

SPC INDICATOR: ON

Table 3-5. Keyboard Scan Codes

KEY	SCAN CODE	KEY	SCAN CODE	KEY	SCAN CODE
7	11	1	31	Pulse Generator Width	71
8	12	2	32	Delay	72
9	13	3	33	Period	73
GHz/s	14	kHz/ $\mu$ s	34	Mode	74
4	21	$\pm$	41	Init/Local	61
5	22	0	42	Delay	51
6	23	.	43	Test	52
MHz/ms	24	Hz/ns	44	Clear Data	53
				Clear Display*	54

\* This scan code cannot be seen on the display, since it exits the keyboard test.

---



---

SPECIAL FUNCTION 06 - PROM checksum Test

---



---

This function generates the checksum for the PROM in the counter and compares it with the checksum table stored in the firmware. If the checksum generated is correct, the counter displays the word "PASSEd" on the front panel. If the checksum is incorrect, an error message is output to the display. At the same time, the error-condition-status bit in the GPIB serial poll status byte is set. During checksum generation, "SPECIAL 06" is displayed.

ONE-SHOT

SPC INDICATOR: ON

---



---

SPECIAL FUNCTION 07 - Display Counter Model Number

---



---

This function enables the user to find out whether the counter is configured as a 585C or 588C counter. It displays the appropriate model number on the front panel.

ONE-SHOT

SPC INDICATOR: ON

---



---

SPECIAL FUNCTION 08 - External Timebase Select

---



---

Selecting this function configures the counter to external timebase input mode. The EXT annunciator is lit when the counter is in external timebase mode.

ONE-SHOT

SPC INDICATOR: OFF



---

---

SPECIAL FUNCTION 09 - Internal Timebase Select

---

---

Selecting this function configures the counter to internal timebase mode. The EXT annunciator is turned off when the counter is in internal timebase mode.

ONE-SHOT

SPC INDICATOR: OFF

---

---

SPECIAL FUNCTION 10 - Internally Disconnect Pulse Generator  
from the Counter for Independent Operation

---

---

This function disconnects the pulse generator from the counter's inhibit input, allowing the pulse generator to be used as a completely separate instrument. When this function is activated, the internal pulse generator has no effect on the operation of the counter, but the pulse generator's rear panel connections are still active.

This function differs from the Pulse Generator ON/OFF key in that the ON/OFF key turns off the pulse generator and the pulse generator's rear panel connections.

ONE-SHOT

SPC INDICATOR: ON

---

---

SPECIAL FUNCTION 11 - Internally Connect Pulse Generator to Counter

---

---

This function reverses the action of Special Function 10, internally reconnecting the output of the pulse generator to the inhibit input of the counter. By default, the pulse generator output is connected to the inhibit input.

ONE-SHOT

SPC INDICATOR: OFF

---

---

SPECIAL FUNCTION 12 - Trigger on Falling Edge

---

---

This function causes the Internal Delaying Pulse Generator to trigger on the falling edge of the pulse generator trigger input.

STOP/RESET

SPC INDICATOR: ON

---

---

SPECIAL FUNCTION 13 - Trigger on Rising Edge

---

---

This function causes the Internal Delaying Pulse Generator to trigger on the rising edge of the pulse generator trigger input.

ONE-SHOT

SPC INDICATOR: OFF



---



---

SPECIAL FUNCTION 20 - Display Band 2 Detected RF Level

---



---

This function verifies coarse calibration of the Band 2 YIG DAC offset and YIG DAC slope adjustments.

When this function is activated, the counter waits for the user to enter the new YIG calibration frequency. The previously entered frequency number and “Fr” are displayed in the frequency section and the pulse parameter section of the display, respectively. The special function stops in this state until the user enters a new frequency value, or, if the previously entered frequency value is the required frequency, pushing the kHz key allows the special function to continue.

After the number has been entered, the YIG DAC is set to the entered frequency number. The display shows “CAL DAC” plus a number from 0 to 29 that corresponds to the information on the Band 2 power discrimination circuitry. The counter outputs the power discrimination circuitry information when requested by the GPIB to Output Level.

STOP/RESET

SPC INDICATOR: ON

---



---

SPECIAL FUNCTION 40 - Sweep YIG DAC

---



---

When this function is activated, the counter waits for the user to enter the start frequency of the YIG sweep. The previously entered start frequency and “F1” are displayed in the frequency section and the pulse parameter section of the display, respectively. The special function stops in this state until the user enters a new start frequency or, if the previously entered frequency is the required start frequency, the user presses the kHz key to tell the special function to continue.

After the start frequency is entered, the counter waits for the user to enter the stop frequency of the YIG sweep. The previously entered stop frequency and “F2” are displayed in the frequency section and the pulse parameter section of the display, respectively. The special function stops in this state until the user enters a new stop frequency or, if the previously entered frequency is the required stop frequency, the user presses the kHz key to tell the special function to continue.

When both the start and stop frequencies have been entered, the display reverts to displaying SPECIAL “40”. The YIG DAC sweeps continuously from F1 to F2 until the function is terminated. If F1 and F2 are equal, the YIG DAC is set to the frequency corresponding to F1 and F2.

To activate this function in remote, the user programs the controller to output SPECIAL 40. The start and stop frequencies used are the frequencies specified in the GPIB commands Y1FREQ and Y2FREQ (where Y1FREQ and Y2FREQ correspond to F1 AND F2 respectively). If the start or stop frequency required is different from that specified in Y1FREQ or Y2FREQ respectively, the number in that frequency register must be updated before Special Function 40 is activated.

STOP/RESET

SPC INDICATOR: ON



---

---

SPECIAL FUNCTION 41 - Sweep VCO with VCO Power Amplifier On

---

---

After this function is activated, the counter waits for the user to enter the start frequency of the VCO sweep. The previously entered start frequency and “F1” are displayed in the frequency section and the pulse parameter section of the display, respectively. The special function stops in this state until the user enters a new start frequency or, if the previously entered frequency is the required start frequency, the user presses the kHz key to tell the special function to continue.

After the start frequency is entered, the counter waits for the user to enter the stop frequency of the VCO sweep. The previously entered stop frequency and “F2” is displayed in the frequency section and the pulse parameter section of the display, respectively. The special function stops in this state until the user enters a new stop frequency or, if the previously entered frequency is the required stop frequency, the user presses the kHz key to tell the special function to continue.

When both the start and stop frequencies have been entered, the display reverts to “SPECIAL 41”. The VCO sweeps continuously from F1 to F2 in 100 kHz steps until the function is terminated. The sweep rate is controlled by the sample rate. Maximum sweep rate may be obtained by disabling the sample rate (Special Function 63) before calling this function. If F1 and F2 are equal, the VCO is set to that particular frequency. The VCO power amplifier is turned on during this function.

To activate this function in remote, the user instructs the controller to output SPECIAL 41. The start and stop frequencies used are the frequencies specified in the GPIB commands V1FREQ and V2FREQ (where V1FREQ and V2FREQ correspond to F1 and F2 respectively). If the start or stop frequency required is different from that specified in V1FREQ or V2FREQ, the number in that frequency register must be updated before SPECIAL 41 is activated.

ONE-SHOT

SPC INDICATOR: OFF

---

---

SPECIAL FUNCTION 42 - Sweep VCO with VCO Power Amplifier Off

---

---

After this function is activated, the counter waits for the user to enter the start frequency of the VCO sweep. The previously entered start frequency and “F1” is displayed in the frequency section and the pulse parameter section of the display, respectively. The special function stops in this state until the user enters a new start frequency or, if the previously entered frequency is the required start frequency, the user presses the kHz key to tell the special function to continue.

After the start frequency is entered, the counter waits for the user to enter the stop frequency of the VCO sweep. The previously entered stop frequency and “F2” is displayed in the frequency section and the pulse parameter section of the display respectively. The special function stops in this state until the user enters a new stop frequency or, if the previously entered frequency is the required stop frequency, the user presses the kHz key to tell the special function to continue.

When both the start and stop frequencies have been entered, the display reverts to “SPECIAL 42”. The VCO sweeps continuously from F1 to F2 in 100 kHz steps until the function is terminated. The sweep rate is controlled by the sample rate. Maximum sweep rate may be obtained by disabling

the sample rate (Special Function 63) before calling this function. If F1 and F2 are equal, the VCO is set to that particular frequency. The VCO power amplifier is turned off during this function.

To activate this function in remote, the user instructs the controller to output SPECIAL 42. The start and stop frequencies used are the frequencies specified in the GPIB commands V1FREQ and V2FREQ (where V1FREQ and V2FREQ correspond to F1 and F2, respectively). If the start or stop frequency required is different from that specified in V1FREQ or V2FREQ, the number in that frequency register must be updated before SPECIAL 42 is activated.

---



---

#### SPECIAL FUNCTION 44 - Pause Normal Counter Operation

---



---

This function prevents the counter from performing the normal converter lock and measurement cycles. It freezes the counter in the state it was in at the moment the function was activated. The display shows "PAUSE" and the STOP ON/OFF status bit is set when this function is active. Special Function 44 remains activated until terminated through Special Function 45 or by pressing the SPECIAL key followed by the CLEAR DATA key, or by pressing the SPECIAL key followed by the 0 key and then the 0 key again.

STOP/RESET

SPC INDICATOR: ON

---



---

#### SPECIAL FUNCTION 45 - Restore Normal Counter Operation

---



---

This function reverses the action taken when Special Function 44 is activated. The function returns the counter to normal operation. A reset is generated and the STOP ON/OFF status bit is cleared when this function is activated.

STOP/RESET

SPC INDICATOR: OFF

---



---

#### SPECIAL FUNCTION 46 - Display and/or Alter Memory

---



---

#### CAUTION



**Care must be used when operating Special Function 46. Although the counter cannot be damaged by this function, improper operation of it can affect the counter calibration. For this reason, access to this function is blocked by an internal memory protect feature. Attempting to access this function with the memory protected causes the counter to display "ERROR 53".**

This function allows the user to display and/or alter any memory location. The counter continues its normal operations when performing this function unless Special Function 44 has previously been activated.



In the local mode, the keys on the keyboard take on different meanings after Special Function 46 is activated. The following are the definitions of the keys when this function is enabled.

- All number keys remain number keys
- GHz key = hexadecimal digit A
- MHz key = hexadecimal digit B
- kHz key = hexadecimal digit C
- Hz key = hexadecimal digit D
- . key = hexadecimal digit E
- ± key = hexadecimal digit F
- DISPLAY DELAY key = INCREMENT command
- TEST key = DECREMENT command
- CLEAR DATA key = ADDRESS command (allows the user to enter another address)
- CLEAR DISPLAY key remains the same (it exits the special function)

After activating Special Function 46, the user can do one of the following:

- Exit the function by issuing a CLEAR DISPLAY command (pressing the CLEAR DISPLAY key).
- Alter the content of the memory location by entering a two-digit hexadecimal number.
- Display the next memory location by issuing an INCREMENT command (pressing the DISPLAY DELAY key).
- Display the previous memory location by issuing a DECREMENT command (pressing the DISPLAY TEST key).
- Enter another memory address by first issuing an ADDRESS command (pressing the CLEAR DATA key).

If the content of a memory location is altered, the new content of that memory location is displayed in the pulse parameter section of the display. If the ADDRESS command is issued, the display changes to show "Addr\_ \_ \_ \_". While the address is being entered, the hexadecimal digits keyed in replace each blank sequentially. After the memory address is entered, the content of that memory location is displayed in the pulse parameter section of the display. This function must be terminated by the CLEAR DISPLAY command.

In the remote mode, a memory content can be interrogated by using the OUTPUT MEMORY command. When the counter is addressed to talk, the last memory address accessed is output. A memory location can be accessed using the MEMORY OHHHH command (where H is a hexadecimal digit). The content of a memory location can be altered using the MEMORY OHHHH

0HH command. In the remote mode, Special Function 46 need not be activated when accessing and altering memory locations. Those operations can be done by the controller in the background.

STOP/RESET

SPC INDICATOR: ON

---

---

SPECIAL FUNCTION 47 - Measure IF Only

---

---

This function provides the user with the means to measure the frequency of the IF signal, present at the input of the count chain assembly, without having the counter converter locked on the signal. The counter does not measure pulse parameters when this function is activated.

When Special Function 47 is activated, the counter stops the normal converter lock and measurement cycles. The VCO, YIG, and all microprocessor-controlled hardware switches are left at the state they were in when the function was activated. The counter then starts measuring the frequency of the IF signal present at the input to the count chain assembly. The measurement results are displayed on the front panel and are also output via the GPIB interface if frequency readings are requested.

**NOTE**

---

*This function does not check periodically for the presence of a signal as in the normal operation of the counter.*

---

STOP/RESET

SPC INDICATOR: ON

---

---

SPECIAL FUNCTION 61 - Disable Input Signal Tracking

---

---

This function configures the counter to skip the execution of the input signal tracking function that normally occurs after every measurement cycle. This function shortens the measurement cycle time, but prohibits the counter from tracking a moving signal.

The action taken with this function can be reversed by activating Special Function 62.

ONE-SHOT

SPC INDICATOR: ON

---

---

SPECIAL FUNCTION 62 - Enable Input Signal Tracking

---

---

This function reverses the action taken with Special Function 61.

ONE-SHOT

SPC INDICATOR: OFF



---

---

SPECIAL FUNCTION 63 - Disable Sample Rate Control

---

---

This function configures the counter to ignore the local and the remote sample rate controls. The counter measurement cycle rate is maximized, which shortens the measurement cycle time.

The action taken with this function can be reversed by activating Special Function 64.

ONE-SHOT

SPC INDICATOR: ON

---

---

SPECIAL FUNCTION 64 - Enable Sample Rate Control

---

---

This function reverses the action taken with Special Function 63.

ONE-SHOT

SPC INDICATOR: OFF

---

---

SPECIAL FUNCTION 65 - Disable Results Display

---

---

This function prevents the display of measurement results on the front panel. When Special Function 65 is activated, the front panel displays only a row of dots. When the user enters parameters through the keyboard, the display responds normally. This function shortens the measurement cycle time and provides security in systems used with classified frequencies.

The action taken with this function can be reversed by activating Special Function 66.

ONE-SHOT

SPC INDICATOR: ON

---

---

SPECIAL FUNCTION 66 - Enable Results Display

---

---

This function reverses the action taken by Special Function 65. When this function is activated, the display is immediately updated with the last measurement results.

ONE-SHOT

SPC INDICATOR: OFF

---

---

SPECIAL FUNCTION 67 - Display Pulse Period Function as Pulse Repetition Frequency

---

---

This function configures the counter to display the pulse period measurements as a frequency. It has no effect on pulse width measurements.

After this function is turned on, frequency measurements are not displayed on the front panel. The pulse period is displayed to the maximum available resolution, using the pulse parameter display as

the 100 Hz, 10 Hz and 1 Hz digits. Since the PRF is derived mathematically from the period, the resolution is a function of the period measurement resolution per the formula:

$$\text{Resolution (Hz)} = \frac{1}{\text{Period} \pm 10 \text{ ns}} - \frac{1}{\text{Period}}$$

When requested by the GPIB bus controller to output a period measurement, the counter outputs the period measurement instead of the PRF of the input signal.

If pulse period measurements are enabled, Special Function 67 has a higher priority than Special Function 69. That is, the front panel is configured according to Special Function 67 if both Special Function 67 and Special Function 69 are activated.

The action taken with this function can be reversed by activating Special Function 68.

ONE-SHOT

SPC INDICATOR: ON

---



---

SPECIAL FUNCTION 68 - Display Period Function as Pulse Period

---



---

This function reverses the action taken with Special Function 67.

ONE-SHOT

SPC INDICATOR: OFF

---



---

SPECIAL FUNCTION 69 - Display Pulse Parameter Measurements Only

---



---

When this function is activated, frequency measurements are not displayed on the front panel. Instead, the 12 digits on the front panel are devoted exclusively to displaying pulse parameter measurements to 10 ns resolution.

If the pulse period function is on, this special function has a lower priority than Special Function 67. That is, the front panel is configured according to Special Function 67 if both Special Function 67 and Special Function 69 are activated.

The action taken with this function can be reversed by activating Special Function 70.

ONE-SHOT

SPC INDICATOR: ON

---



---

SPECIAL FUNCTION 70 - Display Frequency and Pulse Parameter Measurement

---



---

This function returns the counter to the normal mode of displaying measurement results, reversing the action taken by Special Function 69.

ONE-SHOT

SPC INDICATOR: OFF



---

---

SPECIAL FUNCTION 72 - Store Counter Setup and/or Default Values

---

---

This function serves two purposes. Its primary use is to store the present counter setup in the storage register specified. When this function is activated, the counter requests the user to enter the register number by displaying “REG \_” on the front panel. The counter remains in this state until the user enters a number between 0 and 9. After the register number is entered, the function stores the current counter setup in the register specified. During this time, “REG N” is displayed on the front panel (where N is the register number entered).

This function also can be used to customize the default values used by the counter. The default values determine the state of the instrument at turn-on. This is accomplished by setting the instrument up in the desired turn-on condition and storing it in register 0. The information stored in register 0 is used to determine the power-on state of the counter. To clear the instrument back to the factory-set default values, select Special Function 72 and press the CLEAR DATA key.

ONE-SHOT

SPC INDICATOR: OFF

---

---

SPECIAL FUNCTION 73 - Recall Counter Setup

---

---

This function recalls the counter setup stored in the storage register specified.

When this function is activated, the counter requests the user to enter the register number by displaying “REG \_” on the front panel. The counter remains in this state until the user enters a number between 0 and 9. After the register number is entered, the function proceeds to set up the counter according to the information stored in the register specified. During this time, “REG N” is displayed on the front panel (where N is the register number entered).

When the counter finishes setting the counter up, a reset is generated.

ONE-SHOT/RESET

SPC INDICATOR: OFF

---

---

SPECIAL FUNCTION 74 - Store Current Reading as Frequency Offset

---

---

When this function is activated, the counter assigns a negative value to the last input frequency reading and enters it into the frequency offset register (overwriting any previously entered frequency offset). The last input frequency in this case means the actual frequency of the input signal, not the frequency displayed on the front panel, which may be affected by a frequency multiplier or another special function. The counter displays the difference between the last input frequency and the current one, subject to any other functions activated. It continues to do so until the SPECIAL FUNC 83 and CLEAR DATA keys are pressed. The OFS annunciator is turned on when this function is activated.

ONE-SHOT

SPC INDICATOR: OFF



---

---

SPECIAL FUNCTION 75 - Display IF Frequency Readings

---

---

When this function is activated, the counter assigns a negative value to the local oscillator (LO) frequency and enters it into the frequency offset register (overwriting any previously entered frequency offset). The counter then subtracts the LO frequency from the input frequency and displays the resulting IF frequency. It continues to do so until the SPECIAL FUNC 83 and CLEAR DATA keys are pressed. The OFS annunciator is turned on.

ONE-SHOT

SPC INDICATOR: OFF

---

---

SPECIAL FUNCTION 76 - EEPROM Checksum Test

---

---

This special function calculates a checksum based on the data contained in the EEPROM and compares the calculated checksum to the checksum stored in the EEPROM. If the calculated checksum is the same as the stored checksum, the counter displays "PASSEd".

If the counter displays "ERROR 94", the calculated checksum is different from the stored checksum. Although pressing clear display does clear the error, the counter should not be used; it must be recalibrated to ensure proper operation.

ONE-SHOT

SPC INDICATOR: ON

---

---

SPECIAL FUNCTION 77- Enable Pulse Profile

---

---

This function is used to automatically profile the frequency of a repetitive pulsed microwave signal. When this function is activated, the counter displays "000000.000 Inc". At this point the desired measurement increment is entered. After a valid measurement increment has been entered, the counter displays "000000.000 End". At this point, the maximum delay time, relative to the trigger, is entered.

This function only sets up the measurement increment and last measurement time. The front panel Pulse Generator control keys are used to select the trigger source (Mode) and measurement window (Width).

ONE-SHOT

SPC INDICATOR: ON

---

---

SPECIAL FUNCTION 78- Disable Pulse Profile

---

---

This function turns off automatic pulse profiling, reversing the action of Special Function 77.

ONE-SHOT

SPC INDICATOR: OFF



---

---

SPECIAL FUNCTION 79- Connect Band 0 Low Pass Filter

---

---

This function connects a low pass filter to the Band 0 input. The 3 dB point on the filter is at approximately 30 kHz which means the attenuation of signals above 30 kHz increases as a function of frequency.

When measuring signals below 50 kHz, if the count seems unstable, enabling the low pass filter may stabilize the count by attenuating the higher frequency components of the input signal.

ONE-SHOT

SPC INDICATOR: ON

---

---

---

---

SPECIAL FUNCTION 80- Disconnect Band 0 Low Pass Filter

---

---

This function disconnects the Band 0 Low Pass Filter, reversing the action of Special Function 79. The Band 0 Low Pass Filter is, by default, disconnected.

ONE-SHOT

SPC INDICATOR: OFF

---

---

---

---

SPECIAL FUNCTION 81- Measurement Averaging

---

---

This function allows multiple measurements to be mathematically averaged. Use this function to select the number of averages in the range of 01 to 99. Entering 01 or CLEAR DATA clears the averaging function back to the default value of 1.

When measuring pulsed signals, one of the sources of error is averaging error. Special Function 81 is used to average measurements which reduces averaging error. Refer to the measurement accuracy section of the manual for more information on averaging error.

ONE-SHOT

SPC INDICATOR: ON

---

---

---

---

SPECIAL FUNCTION 82 - Frequency Multiplier

---

---

This function allows the measured frequency to be multiplied by a fixed value prior to being displayed or returned over GPIB. The multiplier value defaults to a value of 1, but any integer value between 01 and 99 can be used.

When this function is activated, the counter displays the current multiply factor. A new factor can then be entered. When a factor is entered, the SPC (special) annunciator is lit. Entering 01 or CLEAR DATA clears the multiply function back to the default value.

ONE-SHOT

SPC INDICATOR: ON

---



---

SPECIAL FUNCTION 83 - Frequency Offset

---



---

This function allows the measured frequency to be offset by a fixed value prior to being displayed or returned over GPIB. Frequency offset defaults to zero, but may be any positive or negative value in the range of  $-99.999999$  GHz to  $+99.999999$  GHz. The maximum resolution on frequency offset is 1 kHz.

When this function is activated, the counter displays the current frequency offset. When an offset is entered, the SPC (special) annunciator is lit. Pressing CLEAR DATA or entering "0" followed by any frequency terminator resets the Frequency Offset value back to the default value of zero.

ONE-SHOT

SPC INDICATOR: ON

---



---

SPECIAL FUNCTION 90 - Display and/or Alter GPIB Address

---



---

When this function is activated, the counter displays the current address of the GPIB interface. If the address need not be changed, the function may be terminated by pressing the CLEAR DISPLAY or CLEAR DATA keys.

After this function has been activated, the GPIB address can be changed by entering a two-digit decimal number between 01 and 99. The function is terminated and the display returned to displaying measurement results after the second digit key is released.

(Refer to the GPIB interface section on page 5-15 for the meanings of GPIB addresses above 31.)

ONE-SHOT

SPC INDICATOR: ON

---



---

SPECIAL FUNCTION 91 - YIG DAC Automatic Calibration

---



---

**CAUTION**


---



**Care must be used when operating Special Function 91. Although the counter cannot be damaged by this function, improper operation of it can affect the counter calibration. For this reason, access to this function is blocked by an internal memory protect feature. Attempting to access this function with the memory protected causes the counter to display "ERROR 53".**

---

This function is used to calibrate the Band 2 input filter. Refer to the service manual for more information.



---

---

SPECIAL FUNCTION 92 - Gate Accuracy Calibration

---

---

**CAUTION**



**Care must be used when operating Special Function 92. Although the counter cannot be damaged by this function, improper operation of it can affect the counter calibration. For this reason, access to this function is blocked by an internal memory protect feature. Attempting to access this function with the memory protected causes the counter to display “ERROR 53”.**

This function is used for calibration of the counter’s measurement gate. Refer to the service manual for more information.

---

---

SPECIAL FUNCTION 93- Calculate EEPROM checksum

---

---

**CAUTION**



**Care must be used when operating Special Function 93. Although the counter cannot be damaged by this function, improper operation of it can affect the counter calibration. For this reason, access to this function is blocked by an internal memory protect feature. Attempting to access this function with the memory protected causes the counter to display “ERROR 53”.**

The EEPROM is non-volatile memory which stores calibration data along with other instrument parameters. After performing YIG DAC and/or Gate Error calibrations, this function commands the counter to compute a new checksum based on the new data and store the new checksum in the EEPROM. At turn on, the counter automatically calculates the checksum based on the stored data and compares the calculated checksum to the stored value. If the two checksums are not the same, the counter displays Error 94.

Although pressing clear display does clear the error, the counter should not be used; it must be recalibrated to ensure proper operation.

ONE-SHOT

SPC INDICATOR: ON

## ERROR MESSAGES

When an error occurs, an error number is displayed. The probable cause of each error is listed below.

### ERROR NUMBERDEFINITION

- 01 Key pushed not function key
- 02 Lower limit higher than high limit
- 03 Frequency limits and  $\Delta$  frequency entries only supported in Band 2
- 04 Center frequency entries only supported in Band 2 and Band 3
- 05 Center frequency entry outside current band range
- 06 No valid data in storage registers for recall feature
- 07 Converter unable to lock on signal during special
- 08 Illegal delta frequency entry
- 09 Illegal register entry
- 10 Illegal band entry
- 11 Illegal subband entry
- 12 Illegal resolution entry
- 13 Illegal special function entry
- 14 Illegal average entry
- 15 Illegal multiplier entry
- 16 Illegal frequency offset entry
- 17 Illegal center frequency entry

### ERROR NUMBERDEFINITION

- 18 Illegal MINPRF entry
- 19 Illegal low limit entry
- 20 Illegal high limit entry
- 21 Illegal sample rate entry



- 22 Illegal SRQ number entry
- 23 Illegal GPIB address
- 24 Illegal VCO frequency 1 entry
- 25 Illegal VCO frequency 2 entry
- 26 Illegal YIG frequency 1 entry
- 27 Illegal YIG frequency 2 entry
- 28 Illegal YIG DAC frequency entry
- 29 Frequency overflow due to multiplier
- 30 Pulse parameters measurements greater than specified MINPRF
- 31 GPIB input message too long
- 32 GPIB message starts with a number
- 33 GPIB message starts with a wrong number
- 34 Unidentified word found
- 35 Word misspelled
- 36 Missing space
- 37 Wrong mode argument
- 38 Parameter out of range
- 39 Command is missing parameter
- 40 Non-numeric parameter value
- 41 Wrong frequency terminator

**ERROR NUMBER DEFINITION**

- 42 Wrong time terminator
- 43 Wrong output argument
- 44 Numeric argument syntax error
- 45 Numeric mantissa has too many digits
- 46 Numeric exponent has too many digits
- 47 Hex data should precede with a zero
- 48 No hex memory address specified
- 49 Illegal hex data entry
- 50 Illegal hex address entry
- 51 Special Functions 72 and 73 not supported via GPIB (use store and fetch commands)
- 52 Illegal entry
- 53 Access to this function blocked by memory protect switch
- 60 RAM fault
- 61 ROM checksum error: ADDR 3000 to FFFF
- 80 Invalid pulse period
- 81 Invalid pulse width
- 82 Invalid pulse delay
- 83 Invalid combination of pulse parameters (width + delay > period)
- 84 Invalid mode selected for internal delaying pulse generator
- 85 Invalid profile increment
- 86 Invalid profile end
- 90 No key release detected



**ERROR NUMBER DEFINITION**

- 91 Option not installed
- 92 Band 3 option in a 585C unit
- 94 Nonvolatile memory failure
- 99 No IF detected



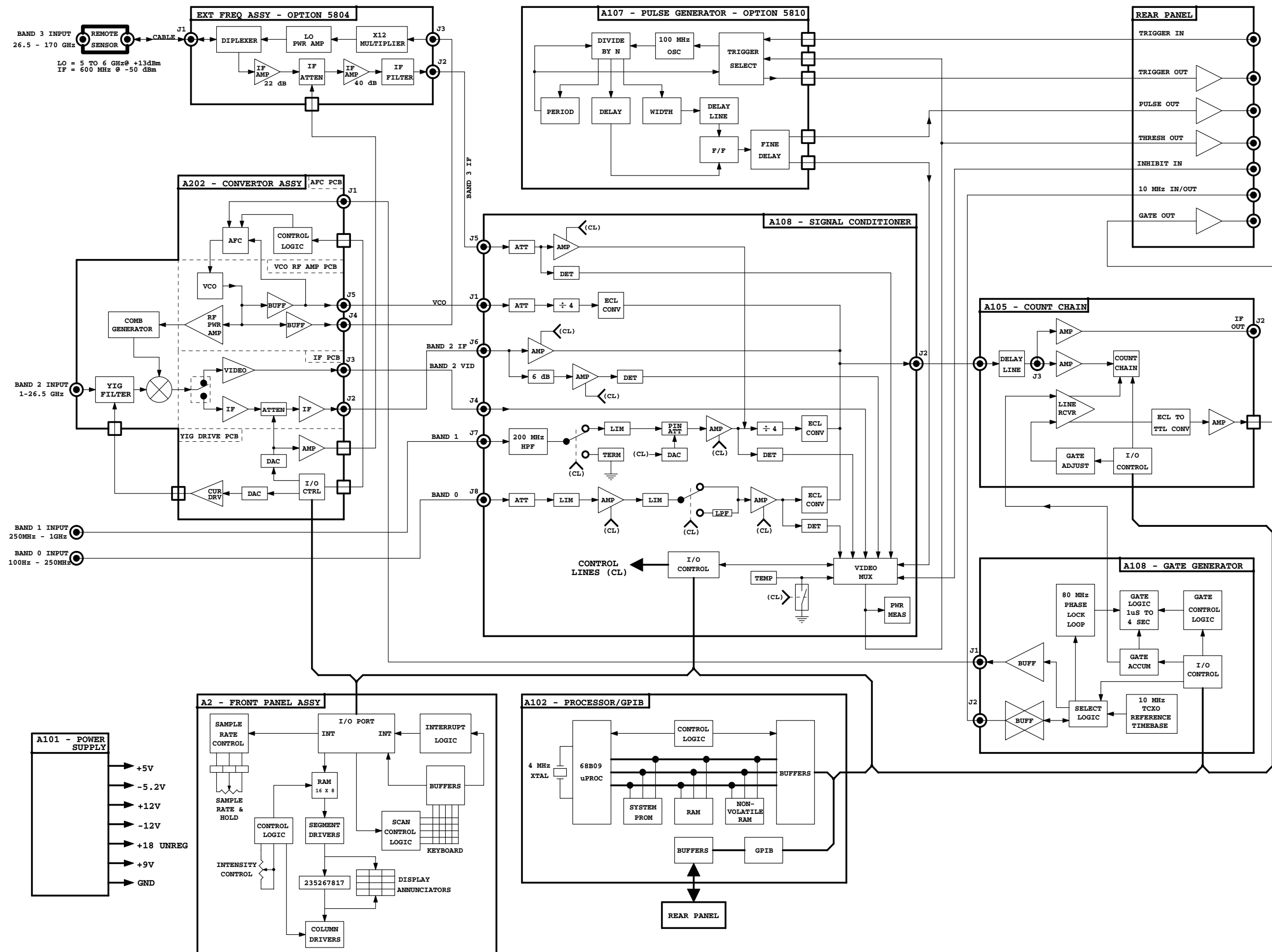


Figure 3-22. Functional Block Diagram for Models 585C and 588C

This Page Intentionally Left Blank

---

---

# 4

---

---

## ACCESSORIES

---

---

### INTRODUCTION

The accessories available for use with the Phase Matrix 585C and 588C counters are listed in Table 4-1. Part numbers and brief descriptions of the accessories are included.

*Table 4-1. Accessories*

<b>Accessory Number</b>	<b>Description</b>	<b>Phase Matrix Part Number</b>
ACC010	Carrying Case	—
ACC021	Rack-Mount kit with handles (includes hardware)	2011121-01
ACC022	Rack-Mount kit without handles (includes hardware)	2011122-01
ACC031	Operation Manual (one supplied with each instrument)	5585065-04
ACC032	Operation and Service Manual	5585107-01
ACC043	Molded case and tools for adjustments and troubleshooting	2011125-02
ACC091	Remote Sensor 26.5 GHz - 40 GHz (WR-28) *	2010404-02
ACC092	Remote Sensor 40 - 60 GHz (WR-19) *	2030029-00
ACC093	Remote Sensor 60 GHz - 90 GHz (WR-12) *	2030030-00
ACC094	Remote Sensor 90 GHz - 110 GHz (WR-10) *	2030031-00
ACC095	Remote Sensor 50 GHz - 75 GHz (WR-15) *	2030038-00
ACC096	Remote Sensor 33 GHz - 50 GHz (WR-22) *	2030059-00
ACC097	Remote Sensor 26.5 GHz - 50 GHz (2.92 mm coax, SMA compatible) *	2030122-00
ACC098	Remote Sensor 110 GHz - 170 GHz (WR-6) *	2030121-00
ACC101	Chassis-Slide kit (includes Rack-Mount kit with handles)	2011123-01
ACC102	Chassis-Slide kit (includes Rack-Mount kit without handles)	2011124-01
ACC890	Frequency Extension Cable Kit	2000043-02

\* Remote Sensors ACC091 through ACC098 are used in conjunction with model 588C counters that have Option 5804 (Extended Frequency Capability, Band 3) installed.



## CARRYING CASE M585C-ACC010

The carrying case is shown in Figure 4-1. It is designed to protect the instrument when transporting it or using it in the field. It is a molded case with die-cut foam inserts that hold and protect the instrument from shock and vibration.



*Figure 4-1. Carrying Case*

## RACK-MOUNT KIT WITH HANDLES M585C-ACC021

This rack-mount kit provides all the parts and hardware required to rack-mount the instrument. The rack-mount brackets have built-in handles. Figure 4-2 shows one rack mount and the mounting hardware provided in the kit. Two rack mounts and mounting hardware for both sides of the instrument are included.

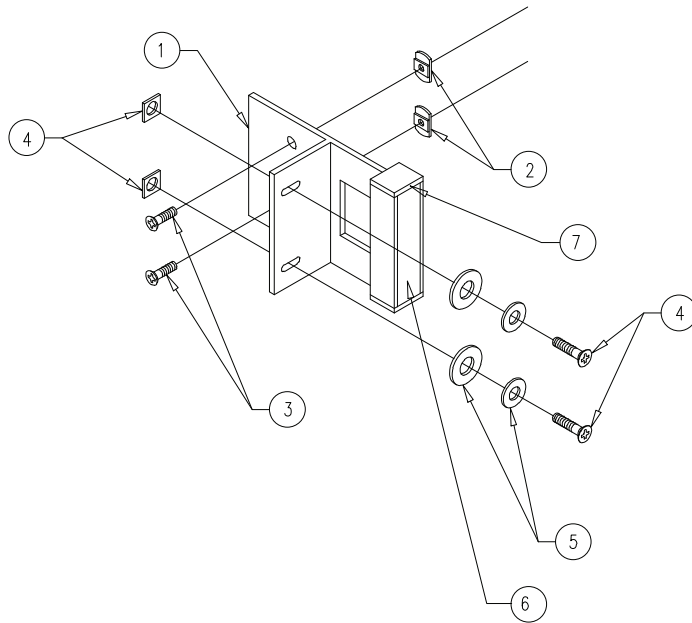


Figure 4-2. Rack-Mount Kit M585C-ACC021

## RACK-MOUNT KIT WITH HANDLES M585C-ACC021 PARTS LIST

2011121-01 (585C)

2011121-01 (588C)

Reference Designator	Description	Phase Matrix Part Number
1	RACK MOUNT WITH D-HANDLE, GRAY, 3.50 INCH	5210435-12
2	NUT, FLANGE, 8-32	5210441-01
3	SCREW, FLANGE HEAD, X-REC, (100) SLFLKG, 8-32 X 5/16	5149001-05
4	HARDWARE KIT, RACK-MOUNT (US)	2010414-01
5	HARDWARE KIT, RACK-MOUNT (METRIC)	5000262-00
6	TRIM STRIP, HANDLE, GRAY, 3.25 INCHES	5210440-12
7	END CAP, D-HANDLE, GRAY	5220049-02



### RACK-MOUNT KIT WITHOUT HANDLES M585C-ACC022

This rack-mount kit provides all the parts and hardware required to rack-mount the instrument. The rack-mount brackets do not have handles. Figure 4-3 shows one rack mount and the mounting hardware provided in the kit. Two rack mounts and mounting hardware for both sides of the instrument are included.

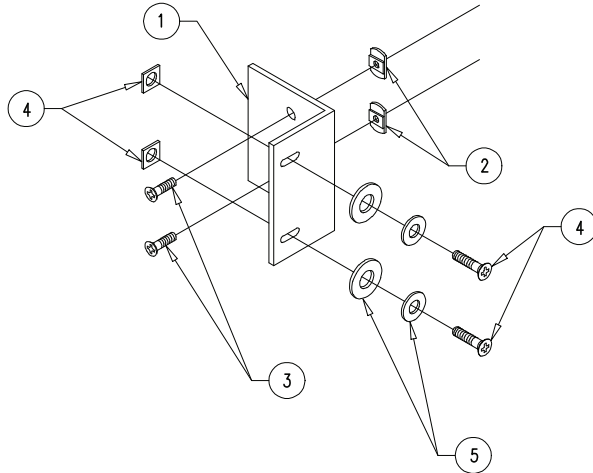


Figure 4-3. Rack-Mount Kit M585C-ACC022

### RACK MOUNT KIT WITHOUT HANDLES M585C-ACC022 PARTS LIST

2011122-01 (585C)

2011122-01 (588C)

Reference Designator	Description	Phase Matrix Part Number
1	RACK MOUNT WITHOUT HANDLE, GRAY, 3.50 INCH	5210433-12
2	NUT, FLANGE, 8-32	5210441-01
3	SCREW, FLANGE HEAD, X-REC, (100) SLFLKG, 8-32 X 5/16	5149001-05
4	HARDWARE KIT, RACK-MOUNT (US)	2010414-01
5	HARDWARE KIT, RACK-MOUNT (METRIC)	5000262-00

## SERVICE KIT (ADJUSTMENT AND TROUBLESHOOTING TOOL KIT) M585C-ACC043

This service kit provides a set of tools for adjustments and troubleshooting. The tools are supplied in a molded case.

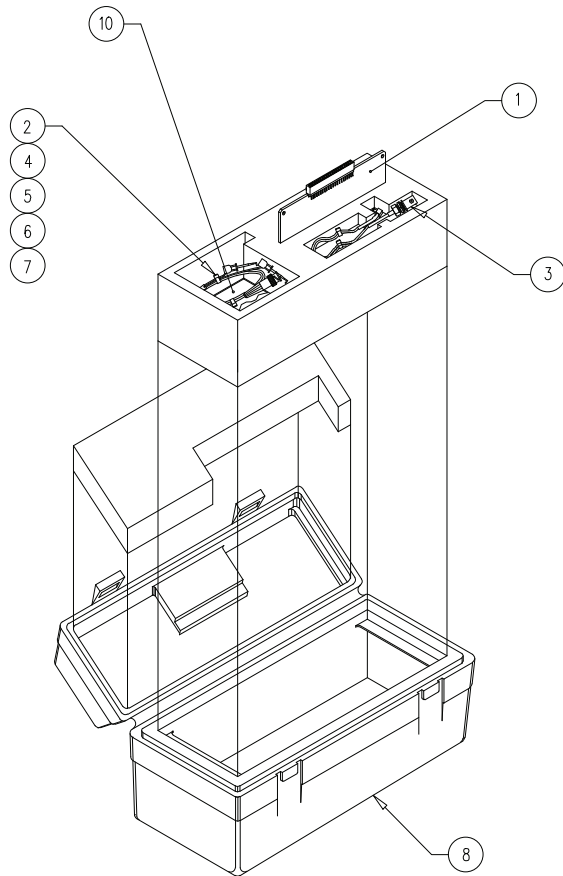


Figure 4-4. Service Kit M585C-ACC043

### SERVICE KIT M585C-ACC043 PARTS LIST

2011125-02 (585C)

2011125-02 (588C)

Reference Designator	Description	Phase Matrix Part Number
1	PCB ASSY, EXTENDER	2020514-01
2	CABLE ASSY, BNC TO SMB	2040222-01
3	CONN, BNC E/Z HOOK TEST	2610054-00
4	CABLE ASSY, BNC TO MCX	2041079-01
5	CABLE ASSY, BNC TO STRAIGHT MCX	2041081-01
6	TOOL, INSULATED TUNING	5730006-00
7	TOOL, MINIGRABBER TEST KIT	5730007-00
8	CASE ASSY, TOOL BOX	2010852-02



SERVICE KIT M585C-ACC043

2011125-02 (585C)

PARTS LIST (continued)

2011125-02 (588C)

---

<b>Reference Designator</b>	<b>Description</b>	<b>Phase Matrix Part Number</b>
9	LABEL, SERVICE KIT, 043	5560995-01
10	CARD, SERVICE KIT CONTENTS, 043	5560995-01
11	DRAWING, SERVICE KIT	8100393-02



## CHASSIS-SLIDE KIT (INCLUDES RACK-MOUNT KIT WITH HANDLES) M585C-ACC101

This chassis-slide kit provides all the parts and hardware required to rack-mount the instrument on slides for easier access. The rack-mount brackets have built-in handles. Figure 4-5 shows one rack mount, one slide, and the mounting hardware provided in the kit. Two rack mounts, two slides, and mounting hardware for both sides of the instrument are included.

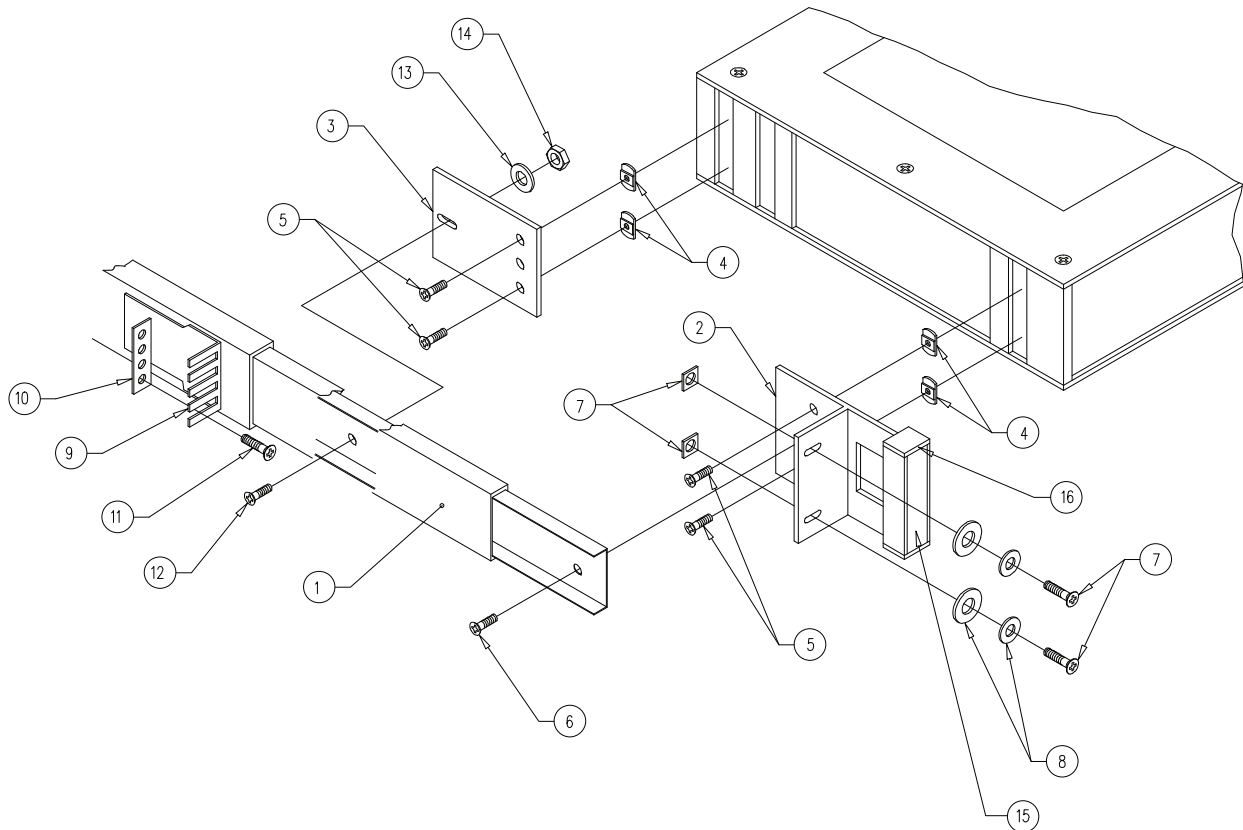


Figure 4-5. Chassis-Slide Kit M585C-ACC101

### CHASSIS-SLIDE KIT M585C-ACC101 PARTS LIST

2011123-01 (585C)  
2011123-01 (588C)

Reference Designator	Description	Phase Matrix Part Number
1	SLIDE, CHASSIS, 370QD-24 INCH	5000366-00
2	RACK MOUNT W/HANDLES, GRAY, 3.50 INCH	5210435-12
3	BRACKET, RACK-MOUNT, SLIDE	5210953-01
4	NUT, FLANGE, 8-32	5210441-01
5	SCREW, FLATHEAD, X-REC, (100) SLFLKG, 8-32 X 5/16	5149001-05
6	SCREW, PANHEAD, X-REC, SLFLKG 8-32 X 1/4 UNC	5124008-04
7	HARDWARE KIT, RACK-MOUNT (US)	2010414-01



CHASSIS-SLIDE KIT M585C-ACC101

2011123-01 (585C)

PARTS LIST (continued)

2011123-01 (588C)

Reference Designator	Description	Phase Matrix Part Number
8	HARDWARE KIT, RACK-MOUNT (METRIC)	5000262-00
9	MOUNTING KIT, BRACKET (SLIDES) W/HARDWARE	5000277-00
10	NUT, BAR, 10-32	5000278-00
11	SCREW, PANHEAD, X-REC, 10-32 X 9/16 UNF	5120010-59
12	SCREW, PANHEAD, X-REC, 8-32 X 3/8 UNC	5120008-06
13	WASHER, FLAT, CRES NO. 8	5160008-00
14	NUT, KEPS, 8-32 UNC-2B	5186008-32
15	STRIP, TRIM, HANDLE, GRAY, 3.25 INCHES	5210440-12
16	CAP, END, HANDLE, GRAY	5220049-02
17	DRAWING, SLIDE ASSY, CHASSIS, W/HANDLES	5520024-00

## CHASSIS-SLIDE KIT (INCLUDES RACK-MOUNT KIT WITHOUT HANDLES) M585C-ACC102

This chassis-slide kit provides all the parts and hardware required to rack-mount the instrument on slides for easier access. The rack-mount brackets do not have handles. Figure 4-6 shows one rack mount, one slide, and the mounting hardware provided in the kit. Two rack mounts, two slides, and mounting hardware for both sides of the instrument are included.

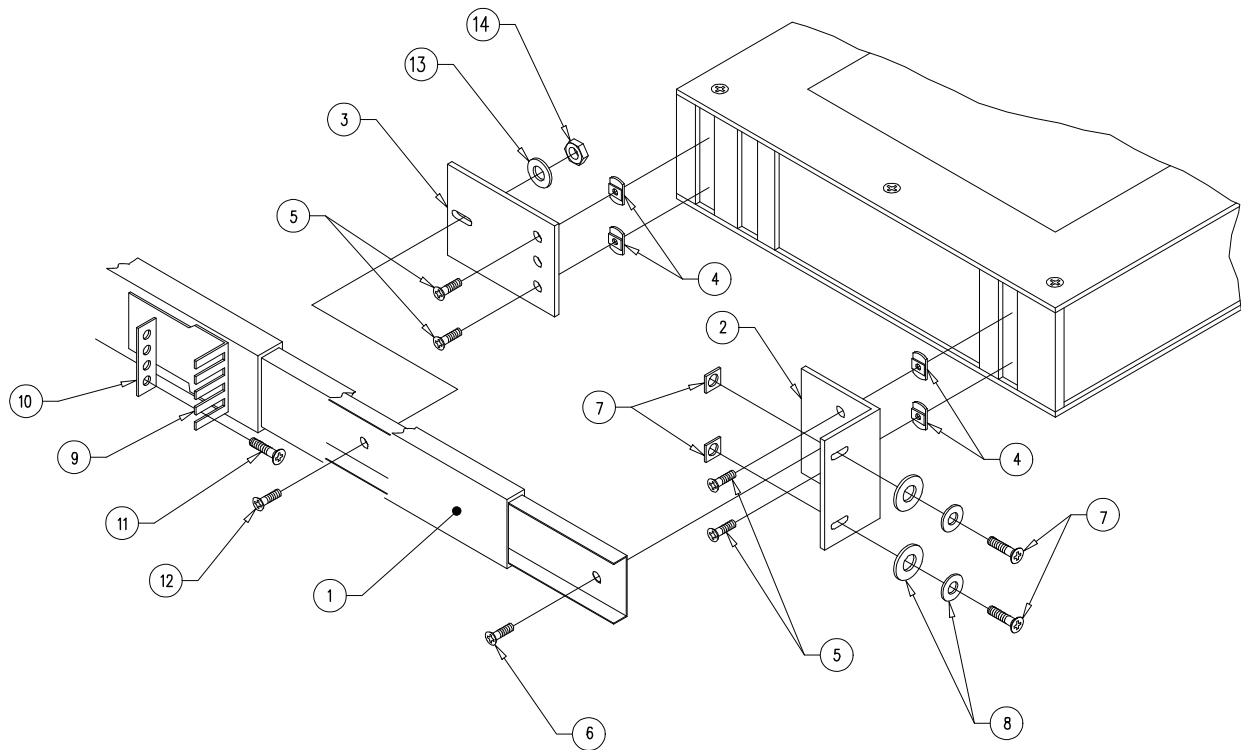


Figure 4-6. Chassis-Slide Kit M585C-ACC102

### CHASSIS SLIDE KIT M585C-ACC102 PARTS LIST

2011124-01 (585C)  
2011124-01 (588C)

Reference Designator	Description	Phase Matrix Part Number
1	SLIDE, CHASSIS, 370QD-24 INCH	5000366-00
2	RACK MOUNT W/O HANDLES, GRAY, 3.50 INCH	5210433-12
3	BRACKET, RACK-MOUNT, SLIDE	5210953-01
4	NUT, FLANGE, 8-32	5210441-01
5	SCREW, FLATHEAD, X-REC, (100) SLFLKG, 8-32 X 5/16	5149001-05
6	SCREW, PANHEAD, X-REC, SLFLKG 8-32 X 1/4 UNC	5124008-04
7	HARDWARE KIT, RACK-MOUNT (US)	2010414-01
8	HARDWARE KIT, RACK-MOUNT (METRIC)	5000262-00
9	MOUNTING KIT, BRACKET (SLIDES) W/HARDWARE	5000277-00



**CHASSIS-SLIDE KIT M585C-ACC102**

2011124-01 (585C)

**PARTS LIST (continued)**

2011124-01 (588C)

---

<b>Reference Designator</b>	<b>Description</b>	<b>Phase Matrix Part Number</b>
10	NUT, BAR, 10-32	5000278-00
11	SCREW, PANHEAD, X-REC, 10-32 X 9/16 UNF	5120010-59
12	SCREW, PANHEAD, X-REC, 8-32 X 3/8 UNC	5120008-06
13	WASHER, FLAT, CRES NO. 8	5160008-00
14	NUT, KEPS, 8-32 UNC-2B	5186008-32
15	DRAWING, SLIDE ASSY, CHASSIS, W/O HANDLES	5520023-00

---

---

# 5

---

---

## PROGRAMMING

---

---

### REMOTE PROGRAMMING

#### GENERAL PURPOSE INTERFACE BUS

The GPIB interface of the 585C/588C counters conforms to the IEEE Code and Format conventions and the IEEE 488-1978 Standards. With the GPIB interface, the counter can respond to remote control instructions and can output measurement results via the IEEE 488-1978 bus interface. At the simplest level, the counter can output data to other devices, such as a thermal printer. In more sophisticated systems, an instrument controller or computer can program the counter remotely, trigger measurements, and read results. A quick reference list of GPIB commands is located in Appendix A at the end of this manual.

#### GPIB FUNCTIONS IMPLEMENTED

The GPIB interface function subsets implemented in the 585C and 588C are listed and described in [Table 5-1](#).

*Table 5-1. GPIB Interface Function Subsets*

<b>Interface Function</b>	<b>Subset</b>	<b>Description</b>
SOURCE HANDSHAKE	SH1	Complete capability
ACCEPTOR HANDSHAKE	AH1	Complete capability
TALKER	T5	Basic talker, serial poll, talk only mode, unaddress if MLA
LISTENER	L4	Basic listener, unaddress if MTA
SERVICE REQUEST	SR1	Complete capability
REMOTE/LOCAL	RL1	Complete capability
DEVICE CLEAR	DC1	Complete capability
DEVICE TRIGGER	DT1	Complete capability



The 585C/588C counters thus have the capacity to provide the following capabilities in remote operation:

- Acceptance of device-dependent messages to set the instrument measurement mode and parameters. The input buffer can store up to 256 characters accepted from the bus. Execution of the device-dependent messages starts after the first message separator is accepted. Input of more characters interrupts the execution so that the additional characters are accepted and stored for fast bus response (unless buffer is full).
- Output of measurement results or any parameter value or instrument mode on demand from the system controller.
- Configuration of the output format in several ways to accommodate different system controllers and speed requirements.
- Implementation of device clear and selected device clear functions to configure the instrument to the power-on state. See [page 5-14](#) for the counter's power-on configuration.
- Implementation of group execute trigger (GET) message to start a new measurement cycle.
- Implementation of serial poll functions to allow the system controller to get a status byte from the instrument that gives status information for various functions. The instrument can also be instructed to interrupt (SRQ) the controller on any ORed combination of the status events.
- Implementation of remote/local transitions. When the counter is in remote, all front and rear panel keys and switches are disabled (except the POWER switch and the INIT/LOCAL key). Remote/local transitions do not change any instrument configuration (except the sample rate settings, which does override in a remote-to-local transition). When the counter changes from local to remote functioning, or vice-versa, all stored information is retained. The counter operates in the same state as it was in before the change. The only exception is when the counter is performing a special function, the special function is terminated.
- Implementation of local lockout, with the INIT/LOCAL key disabled accordingly. When the counter is in remote, and local lockout is not active, the INIT/LOCAL key on the front panel acts as the return-to-local key.
- Availability of counter configuration information, in addition to the status events available in the status byte, by means of a special OUTPUT CONFIGURATION command. When the counter is configured as a talker, it outputs five bytes that contain the current configuration.
- Recognition of all three bus terminators: CR LF (carriage return/line feed), NL (null), and EOI (end or identify).
- Availability of front panel annunciators for remote (RMT), talker (TLK), listener (LSN), and service request (SRQ) that continuously show the interface state.
- Implementation of talk-only modes for no-controller applications.

## DEVICE-DEPENDENT MESSAGES (LISTENER FEATURES)

A device-dependent message generally consists of reserved words and numbers. The message structure depends on the type of message, and can be:

- Header only
- Header and argument
- Header and argument and terminator

Where the header is a reserved word, the argument is a number or a reserved word, and the terminator is a reserved word.

Messages can be concatenated with a comma (,) or semicolon (;) as separators. A message chain can be terminated with CR LF or NL or EOI.

### NOTE

---

*Any device-reserved word is recognized by at least the two first characters, with the exception of **RESEt**, which requires the first four letters to be entered, and **DELta**, which requires the first three letters to be entered. These first two characters are printed in large boldface type in the following command lists and in program examples to promote user familiarity with the shortened form of the command. Spelling of more characters (up to the full word) is optional for user program readability.*

---

Example: INITIALIZE, INITIAL, INIT, and IN are all recognized equivalently.

A <number> can be sent in any of the defined IEEE formats (NR1, NR2, NR3).

Example: 12000, 12000.00, 001.2e4, and .12000E+5 are all recognized equivalently.

The reserved word DEFAULT can replace a numeric argument for default value assignment.

The terminator in the parameter messages group is optional, and defaults to Hz or seconds.

A command message having more than one word (e.g., PERIOD ON) should have a space between words. However, this is optional if the second word is a number (OFFSET4.3e9 and OFFSET 4.3E9 are recognized equivalently). Additional spaces in front of words, between words, or after a message are optional, and are ignored. Nulls and CRs are ignored anywhere. Both upper case and lower case characters are equally acceptable.

Following are the possible GPIB command messages for the 585C/588C series of counters.



### CONTROL MESSAGES

Control, mode, and parameter messages are all used with the controller in the talker mode to send instructions and data, as shown in Table 5-2, Table 5-3, and Table 5-4.

Table 5-2. Control Messages

Header	Argument	Terminator	Description
<b>CLEAR</b> DISPLAY	None	None	Returns the display to normal measurement results display, clear error. (Equivalent to front panel CLEAR DISPLAY key.)
<b>INITIALIZE</b>	None	None	Reconfigures the instrument to power-on state. (Equivalent to front panel INIT/LOCAL key.)
<b>RESET</b>	None	None	Resets counter to restart a new signal measurement cycle. (Equivalent to front panel RESET key.)
<b>TRIGGER</b>	None	None	Triggers a new measurement cycle. (Equivalent to front panel TRIG key.)

Table 5-3. Mode Messages

Header	Argument	Terminator	Description
<b>DYNAMIC</b>	ON or OFF	None	Suppresses blanks when counter is configured in talker mode for faster free-field data transfer.
<b>EXTERNAL</b>	ON or OFF	None	Selects the INT/EXT timebase reference. (Special Function 08 can also be used to select the external timebase.)
<b>HEADER</b>	ON or OFF	None	Adds an alpha header and terminator for talker.
<b>HOLD</b>	ON or OFF	None	Holds the last result if on. (Equivalent to front panel HOLD.)
<b>PERIOD</b>	ON or OFF	None	Turns pulse period measurement on or off. (Equivalent to front panel PULSE PERIOD key.)
<b>SCIENTIFIC</b>	ON or OFF	None	Selects exponential notation for talker.
<b>SEPARATE</b>	ON or OFF	None	Replaces the commas with CR LF between multinumber results.
<b>WIDTH</b>	ON or OFF	None	Turns pulse width measurement on or off. (Equivalent to front panel PULSE WIDTH key.)

### NOTE

---

*In the local mode, SAMPLE RATE and HOLD are controlled via the front panel control, but in remote the front panel control has no effect. In the remote mode, both SAMPLE RATE and HOLD are under software control. Refer to GPIB SAMPLE RATE and HOLD commands.*

---



Table 5-4. Parameter Messages

Header	Argument	Terminator	Description
<b>AVERAGE</b>	<number>	None	Inputs an averaging value (01 to 99).
<b>BAND</b>	<number>	None	Selects a specific band (0 to 3) or DEFAULT.
<b>CENTERFREQ</b>	<number>	(Hz/kHz/MHz/GHz)	Sets a center frequency value and mode.
<b>DELTA F</b>	<number>	(Hz/kHz/MHz/GHz)	Sets the $\Delta F$ value. (Equivalent to front panel $\Delta F$ key.)
<b>FETCH</b>	<number>	None	Recalls counter setup stored in specified storage register (0 to 9). (Special Function 73.)
<b>HIGHLIMIT</b>	<number>	(Hz/kHz/MHz/GHz)	Sets a frequency limit high value.
<b>LOWLIMIT</b>	<number>	(Hz/kHz/MHz/GHz)	Sets a frequency limit low value.
<b>MEMORY</b>	<hex_adrs>	<hex_data>	Accesses a memory location and alters it (altering is optional). (Special Function 46.)
<b>MEMORY</b>	Increment	<hex_data>	Accesses next memory location. (Special Function 46.)
<b>MEMORY</b>	Decrement	<hex_data>	Accesses previous memory location. (Special Function 46.)
<b>MINPRF</b>	<number>	(Hz/kHz/MHz/GHz)	Sets a minimum PRF value.
<b>MULTIPLIER</b>	<number>	None	Inputs a multiplier value (01 to 99).
<b>OFFSETFREQ</b>	<number>	(Hz/kHz/MHz/GHz)	Sets a frequency offset value.
<b>RESOLUTION</b>	<number>	None	Sets the frequency measurement resolution (0 to 9).
<b>SAMPLERATE</b>	<number>	(s/ms)	Sets a delay between measurement values (0 to 100 sec., 10 ms resolution).
<b>SPECIAL</b>	<number>	None	Activates a specific special function (00 to 99).
<b>SRQMASK</b>	<number>	None	Selects the ORed combination of status events to cause a service request.
<b>STORE</b>	<number>	None	Stores current counter setup in specified storage register (0 to 9). (See Special Function 72.)
<b>SUBBAND</b>	<number>	None	Selects a specific Band 3 subband (1 to 6).
<b>V1FREQ</b>	<number>	(Hz/kHz/MHz/GHz)	Sets a start frequency for VCO sweep (Special Functions 41, 42).
<b>V2FREQ</b>	<number>	(Hz/kHz/MHz/GHz)	Sets a stop frequency for VCO sweep (Special Functions 41, 42).
<b>Y1FREQ</b>	<number>	(Hz/kHz/MHz/GHz)	Sets a start frequency for YIG sweep (Special Function 40).
<b>Y2FREQ</b>	<number>	(Hz/kHz/MHz/GHz)	Sets a stop frequency for YIG sweep (Special Function 40).
<b>Y3FREQ</b>	<number>	(Hz/kHz/MHz/GHz)	Sets YIG frequency (Special Function 20).



OUTPUT CONTROL MESSAGES

The commands listed in Table 5-5 are used with the controller in the talker mode to request the output of data.

Table 5-5. Output Control Messages

Header	Description
<b>OUTPUT BAND</b>	Outputs the number of the last specified band.
<b>OUTPUT CENTERFREQ</b>	Outputs the center frequency last specified.
<b>OUTPUT DATE</b>	Outputs a 42-character string that shows the revision level and date code of the software. The format is: #####-## REV.X MM-DD-YY.
<b>OUTPUT DEFAULT</b>	Outputs displayed data.
<b>OUTPUT DELTAF</b>	Outputs the last specified $\Delta F$ value.
<b>OUTPUT ERRORNUMBER</b>	Outputs the number of the last error. See listing of error numbers in Section 3.
<b>OUTPUT FREQUENCY</b> (AND <b>WIDTH</b> ) (AND <b>PERIOD</b> )	Controls which measurement results to output. (Note: More than one measurement result is optional. The order of the results is preserved in the output. These three, frequency, width, and period, can be used in any combination.)
<b>OUTPUT HIGHLIMIT</b>	Outputs the high frequency limit last specified.
<b>OUTPUT IDENTIFICATION</b>	Outputs "EIP59nA GPIB dd", where n is 5 or 8 and dd is the GPIB address.
<b>OUTPUT KEYCODE</b>	Outputs the code of the last key pressed.
<b>OUTPUT LEVEL</b>	Outputs the rough amplitude measurement result (Special Function 20).
<b>OUTPUT LOWLIMIT</b>	Outputs the low frequency limit last specified.
<b>OUTPUT MEMORY</b>	Outputs the content of memory in the last accessed location (Special Function 46).
<b>OUTPUT MINPRF</b>	Outputs the minimum PRF last specified.
<b>OUTPUT MULTIPLIER</b>	Outputs the last specified multiplier value.
<b>OUTPUT OFFSETFREQ</b>	Outputs the frequency offset last specified.
<b>OUTPUT RESOLUTION</b>	Outputs the last specified frequency measurement resolution.
<b>OUTPUT SAMPLERATE</b>	Outputs the last specified delay time between measurement values.
<b>OUTPUT SRQMASK</b>	Outputs the combination of status events required to cause a service request. See page 5-11.
<b>OUTPUT SUBBAND</b>	Outputs the number of the last specified subband.
<b>OUTPUT V1FREQ</b>	OUTPUT V1FREQ
<b>OUTPUT V2FREQ</b>	Outputs the last specified stop frequency for VCO sweep.
<b>OUTPUT Y1FREQ</b>	Outputs the last specified start frequency for YIG sweep (Special Function 40).
<b>OUTPUT Y2FREQ</b>	Outputs the last specified stop frequency for YIG sweep (Special Function 40).

## PULSE GENERATOR CONTROL MESSAGES

Table 5-6. Pulse Generator Control Messages

Header	Argument	Terminator	Description
<b>GEND</b>	<number>	s/ms/μs/ns	Last pulse delay in auto profile measurement
<b>GDELAY</b>	<number>	s/ms/μs/ns	Pulse delay from trigger
<b>GINCREMENT</b>	<number>	s/ms/μs/ns	Delay increment for auto profile measurement (See Special Function 77.)
<b>GWIDTH</b>	<number>	s/ms/μs/ns	Pulse width
<b>GPERIOD</b>	none	none	Pulse period
<b>GMODE</b>	0 1 2 3	none none none none	Trigger mode Turns off pulse generator Trigger external Trigger continuous Trigger on signal threshold
<b>OUTPUT GDELAY</b>	none	none	Outputs the last pulse delay
<b>OUTPUT GEND</b>	none	none	Outputs the last pulse delay in profile
<b>OUTPUT GINCREMENT</b>	none	none	Outputs the last delay increment in profile
<b>OUTPUT GPERIOD</b>	none	none	Outputs the last pulse period
<b>OUTPUT GWIDTH</b>	none	none	Outputs the last pulse width
<b>OUTPUT GMODE</b>	none	none	Outputs the last trigger mode 0=OFF, 1=EXT, 2=CONT, 3=THRESHOLD
<b>PROFILE</b>	ON or OFF	none	Turns the pulse profile function on or off. (Special Function 77 except increment and end values are entered using the GINCREMENT and GEND GPIB commands.)

## SYNTAX DEFINITION

In the instructions that follow, | means “or” and N|S means “null or space”. The format used for the examples is generic for HP controllers. Sample formats can easily be adapted for other controllers.

DEVICE-DEPENDENT MESSAGE: <message> <N|S> <message terminator> | <message>

<message separator> <message> <message terminator>

Message <control message> | <mode message> |

<parameter message> | <output control message>

Message separator , | ;

Message terminator CR LF|NL|EOI



- 1. CONTROL MESSAGE: INITIALIZE | RESET | TRIGGER | CLEAR DISPLAY

Example: To instruct the instrument to begin a new signal acquisition process, the following statement could be used: Send 0, 18, "RESET", NLEnd

- 2. MODE MESSAGE: <mode name> <space> <mode position>

Mode name WIDTH | PERIOD | HOLD | EXTERNAL | SCIENTIFIC | SEPARATE | HEADER | DYNAMIC

Mode position ON | OFF | 1 | 0 | DEFAULT

Example: To instruct the instrument to an external reference, the following statement would be used: Send 0, 18, "EXTERNAL ON", NLEnd

- 3. PARAMETER MESSAGE: <parameter message 1> | <parameter message 2> |  
<parameter message 3> | <parameter message 4> |  
<parameter message 5> |

PARAMETER MESSAGE 1: <parameter 1> <N | S> <argument>

Parameter 1 BAND | SUBBAND | RESOLUTION | SPECIAL | AVERAGE | MULTIPLIER | SQRMASK

Argument DEFAULT | <number>

Number <NULL | + | > <mantissa> <exponent>

Mantissa <digit> | <digit string> | <digit | digit string, digit | digit string>

Exponent NULL | E <NULL | + | > <digit | digit string>

Example: To instruct the instrument to accept an averaging value, the following statement could be used: Send 0, 18, "AVERAGE 70", NLEnd

PARAMETER MESSAGE 2: <parameter 2> <N | S> <argument> <N | S> <frequency terminator>

Parameter 2 OFFSETFREQ | HIGHLIMIT | LOWLIMIT | MINPRF | CENTERFREQ | Y1FREQ | Y2FREQ | Y3FREQ | V1FREQ | V2FREQ | DELTAF

Frequency terminator NULL | Hz | kHz | MHz | GHz

Example: To instruct the instrument to set a frequency high limit value of 12.3 GHz, the following statement could be used: Send 0, 18, "HIGHLIMIT 12.3 GHz"

PARAMETER MESSAGE 3:     SAMPLERATE<N|S> <argument> <N|S>  
                                  <time terminator>

Time terminator                    NULL|SEC|MSEC

Example: To instruct the instrument to set the sample rate to 0.1 Hz, the following statement could be used: Send 0, 18, "SAMPLERATE 100 MSEC", NLend

PARAMETER MESSAGE 4:     MEMORY<N|S> <memory instruction> <N|S>  
                                  <memory data>

Memory instruction                INCREMENT|DECREMENT| <memory location>

Memory location                    0<hex digit> <hex digit> <hex digit> <hex digit>

Hex digit                            <digit|A|B|C|D|E|F

Memory data                        NULL|0<hex digit> <hex digit>

Example: To instruct the instrument to change memory location 99AF to 3B, the following statement could be used: Send 0, 18, "MEMORY O99AF 03B", NLend

PARAMETER MESSAGE 5:     STORE|FETCH<N|S> <NUMBER>

Example: To instruct the instrument to store or recall a counter setup in a specified storage register, these statements could be used:

Send 0, 18, "STORE 03", NLend or Send 0, 18, "FETCH 03", NLend



4. OUTPUT CONTROL MESSAGE: OUTPUT <SPACE> <output parameter>

Output parameter	<single parameter>   <result parameter>
Single parameter	RESOLUTION   BAND   SUBBAND   AVERAGE   MULTIPLIER   ERRORNUMBER   SQRMASK   CONFIGURATION   LEVEL   MEMORY   IDENTIFICATION   LOWLIMIT   HIGHLIMIT   OFFSETFREQ   CENTERFREQ   MINPRF   SAMPLERATE   KEYCODE   SETUP
Result parameter	DEFAULT   <result list>
Result list	<result name>   <result name> <SPACE> AND <SPACE> <result name>   <result name> <SPACE> AND <SPACE> <result name> <SPACE> AND <SPACE> <result name>
Result name	FREQUENCY   WIDTH   PERIOD

Example: To request the controller to display the width and frequency, in that order, the operator enters:

```

Send 0, 18, "OUTPUT WIDTH AND FREQUENCY", NLEnd
Receive 0, 18, A$, StopEnd
Print A$

```

**OUTPUT AND FORMAT EXAMPLES**

The following program segment illustrates how controllers function with the counter. This program sets the counter up in a sample configuration and programs it to make a measurement of a 12.5 GHz pulsed signal with a 13.258 ms period. The talk and listen address of the counter is assumed to be 18.

```

Dimension A$(36)
Send 0, 18, "IN", NLEnd
Wait 4000
Send 0, 18, "WI ON, RE 4", NLEnd
Send 0, 18, "HI 17.5 GHZ, LO 1.1 GHZ", NLEnd
Wait 1000
Send 0, 18, "OUTPUT WI AND FR", NLEnd
Wait 1000
Receive 0, 18, A$, StopEnd
Print A$

```

This program initializes the counter, provides a resolution value and a high and low frequency limit, and instructs it to output pulse width to the counter display and pulse width and frequency to the controller display. The controller display would appear something like this:

0.0000132580 12500000000

## OUTPUT MESSAGES (TALKER FEATURES)

After receiving a talk address, the GPIB outputs the current configuration, or any parameter value or measurement result, in response to the appropriate output control message. After power-on or device-clear, the controller outputs the displayed measurement results (as it does after the OUTPUT DEFAULT command).

The controller can be instructed to output any ordered combination of the three measurements, no matter what is displayed on the front panel.

Example: OUTPUT FREQ AND WIDTH

OUTPUT PERIOD

OUTPUT WIDTH AND FREQUENCY AND PERIOD

The format of each output message can be controlled using the following:

- SCIENTIFIC - provides exponential notation with engineering exponents when SCIENTIFIC is ON. Default is OFF.
- DYNAMIC - suppresses blanks and trailing zeros for faster data transfers when DYNAMIC is ON. Default is OFF.
- HEADER - provides an alpha header and terminator around each numeric data item for clarity, (useful for printers) when HEADER is ON. Default is OFF.

### NOTE

---

*Terminator takes over the exponential role if both SCIENTIFIC and HEADER are ON.*

---

- SEPARATE - Substitutes CR LF for the comma between results of one measurement (freq,period) when SEPARATE is ON. Default is OFF.
- DEFAULT - Outputs data in default format. The fixed fields are 16 characters long for the header and argument, and 5 long for the terminator. When none of the output formatting features above are turned on, numbers are right justified, letters are left justified, blanks are filled.



Example: The counter is measuring a 12.34 GHz pulsed signal with 98 ns width and 14.567 ms period. The operator enters the following messages through the controller:

RESOLUTION 6  
OUTPUT FREQ AND WIDTH AND PERIOD

The output for each message format is listed in Table 5-7 (b = blank).

Table 5-7. Output Message Formats

Parameter	Output
Default	bbbb1234000000,bbbb0.00000100,bbbb0.000014570 CR LF
SCIENTIFIC on	bbbbbbb12.340E+9,bbbbbbbb100E-9, bbbbbbb14.57E-6 CR LF
DYNAMIC on	34E9,100E-9,14.57E-6 CR LF
SEPARATE on	2.34E9 CR LF 100E-9 CR LF 14.57E-6 CR LF
HEADER on	FREQUENCY 12.34 GHz CR LF WIDTH 100 NSEC CR LF PERIOD 14.57 USEC CR LF

If the counter is searching, zero data is output to the controller on all results once every search loop. If the counter has found a signal, a measurement result is output only once. When the instrument is in HOLD, therefore, the user must trigger the counter before sending another talk address. Otherwise, since it has no data to output, the counter holds indefinitely.

## STATUS BYTE

Both the 585C and 588C counters maintain a one-byte register that contains current information on the status of the instrument. This register, called the status byte, can be accessed through the GPIB using the serial poll command. When serial polled, the counter responds by returning a numeric value between 0 and 256. This value is the weighted sum of the status bits which are set. The status byte structure is shown in Figure 5-1. For example, a value of 132 indicates that the GPIB input buffer is empty and the counter is in the search mode.



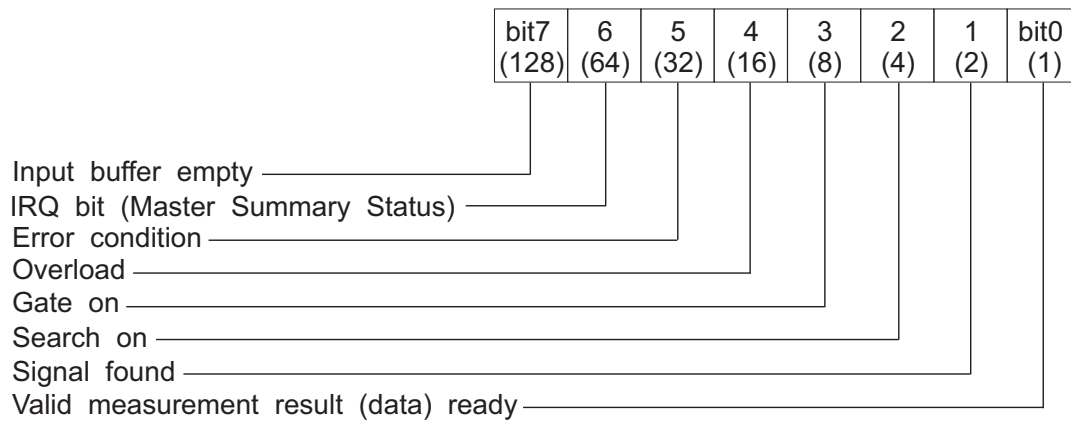


Figure 5-1. Status Byte Structure

## SERVICE REQUEST MASK

The counter can be instructed to send an interrupt, by setting the SRQ line on the GPIB, when any ORed combination of the bits in the status byte are set. This is done by sending the counter a service request mask.

For example, to instruct the counter to generate an SRQ whenever it has valid data available or an error condition exists, send the following service request mask:

Send 0, 18, "SRQMASK 33", NLEnd

This would tell the counter to generate an SRQ whenever bit 0 and bit 5 of the status byte are set. Since bit 0 corresponds to valid measurement result ready and bit 5 corresponds to an error condition, the counter would generate an SRQ whenever either an error condition exists or a valid measurement is available.

The following items should be included in any program using the SRQ feature:

1. Tell the counter when to generate an SRQ. That is, tell the counter which events should generate an SRQ. This is done using the SRQMASK command.
2. Tell the controller to monitor the SRQ line on the GPIB. The SRQ is a maskable interrupt and the controller needs to know if it should respond to the interrupt.
3. Tell the controller what to do when it receives an SRQ interrupt.
4. Serial poll the counter after an SRQ is generated to clear the interrupt. When the counter generates an SRQ it sets bit 6 in the status byte. Serial polling the instrument clears the SRQ bit and allows the instrument to generate a new SRQ upon the next occurrence of the conditions specified in the SRQ Mask.
5. It may also be necessary to clear the SRQ register in the controller. Consult your manual on the controller for more information on clearing the SRQ register in the controller.



## DEFAULT STATE (DEVICE CLEAR FEATURES)

The default state of the instrument occurs after power-on, hardware initialization, or a device clear command. The default state can be customized using Special Function 72. For additional information on this feature, see Section 3. Table 5-8 lists the factory-set default state values of the counter.

Table 5-8. Output Message Formats

Parameter	Default State
Average	01
Band	2
Center frequency	0 (off)
Clear display	Activated
Converter	Reset
Delta F	50 MHz
Display	Enabled
Dynamic	Off
External reference	Off
Frequency limit high	20.5 GHz (585C) or 26.7 GHz (588C)
Frequency limit low	900 MHz
Header	Off
Hold	Off
Minimum pulse repetition frequency	2 kHz
Multiply frequency	01
Offset frequency	0 kHz
Output	Frequency measurement data
Resolution	3 (1 kHz)
Sample rate	50 ms
Scientific	Off
Separate	Off
Special functions	00 (All Cleared)
SRQmask	Off
<b>Pulse Generator:</b>	
Gmode	0 (Off)
Gdelay	50 ns
Gwidth	1 μs
Gperiod	10 μs
Gincrement	1 μs
Gend	9 μs
Profile	Off

## GPIB ADDRESS SELECTION

This counter employs a software selectable GPIB address which is stored in nonvolatile memory. To verify the GPIB address, enter Special Function 90: the counter displays the current GPIB address. Press the CLEAR DISPLAY key to exit Special Function 90 without changing the GPIB address. To change the GPIB address, enter Special Function 90 followed by the desired GPIB address. Since the GPIB address is stored in nonvolatile memory, the counter always defaults to the last GPIB address selected.

## TALK ONLY MODES

The talk-only modes enable the counter to continuously output data to other devices on the bus, such as a printer, without the need of an instrument controller. To use the counter in talk-only mode, enter the GPIB address corresponding to the desired data-output format, as listed in [Table 5-9](#). The receiver must be configured to the listen-only mode to allow data to be transferred across the bus.

### NOTE

*Address is composed of the binary value of the choices +32.*

*Table 5-9. GPIB Addresses for Talk-Only Mode*

Scientific	Separate	Header	Dynamic	Address
off	off	off	off	32
off	off	off	on	33
off	off	on	off	34
off	off	on	on	35
off	on	off	off	36
off	on	off	on	37
off	on	on	off	38
off	on	on	on	39
on	off	off	off	40
on	off	off	on	41
on	off	on	off	42
on	off	on	on	43
on	on	off	off	44
on	on	off	on	45
on	on	on	off	46
on	on	on	on	47



## DATA INPUT AND OUTPUT SPEED

### INPUT SPEED

It takes a specific amount of time for the counter to process input data (error checking, formatting, changing the mode of operation, etc.). To prevent the data rate of the bus from slowing down while the counter is processing input data, the data is accepted as soon as it is available on the bus and is temporarily stored in a 256-character storage memory.

It is necessary to be aware of the difference between accepting data and complying with it. If the counter is asked to output a reading before it is finished processing the input data, the output does not reflect the newly entered data. To prevent this, sufficient programmed delays must be provided (see the sample program formats on [page 5-7](#)). Bit 7 in the status byte can be used to determine if the counter has completed the processing of the GPIB command messages. Refer to the section on the status byte.

### OUTPUT SPEED

Several options have been provided in the GPIB interface for the user who wants to increase the output speed of the counter. Each of the following conditions increases the measurement cycle rate. The fastest measurement cycle time is achieved with all of the following conditions set:

- **HEADER OFF:** Outputs the numeric results without header or terminator (default).
- **SCIENTIFIC OFF:** Outputs fixed point results which are shorter than exponential notations (default).
- **DYNAMIC ON:** Suppresses leading blanks. Note: The controller has to have free field capability.
- **SPECIAL 61:** Disables the tracking feature, thus saving the time required for YIG and VCO corrections.
- **SPECIAL 63:** Disables sample rate control, thus deleting any delay between gates. (For counter in local mode.)
- **SPECIAL 65:** Disables the LED results display thus saving the time required for display, formatting and output.
- **SAMPLERATE 0:** Same as SPECIAL 63 for counter in remote mode.

## READING MEASUREMENTS

The Phase Matrix 585C/588C counters provide a choice of methods for taking readings. When the command HOLD is ON, the counter takes one reading then waits for a RESET command or a device trigger GPIB command. In this condition, the counter is sent a RESET command or a device trigger and (when addressed to talk) outputs a new reading to the bus. The counter holds that particular reading on the display until another RESET command or device trigger is received.

When the HOLD command is off, data is read out to the bus in the normal way. The display is automatically updated at the specified sample rate, and the counter outputs successive measurement readings without requiring a RESET command or device trigger each time.

---

---

# 6

---

---

## OPERATIONAL VERIFICATION TESTS

---

---

### INTRODUCTION

This section contains information for verifying proper operation of the counter. Although these tests are not comprehensive, they do ensure, to a high degree of confidence, that the instrument is operating properly. The tests can be useful for incoming inspection and should be performed after any servicing to ensure proper operation of the counter. All tests can be performed without removing the instrument covers. A test report form is included at the end of this section that can be used to provide a test record. If the application is especially critical in nature, more extensive testing may be required and is covered in the performance verification test section of the service manual. Because of the high cost and specialized nature of frequency sources above 40 GHz, testing above this frequency is not covered. Also, for the purpose of operational verification tests, simulated pulsed signals are used in Bands 1 and 3.

### EQUIPMENT REQUIREMENTS

Equipment required for the operational verification tests on the Phase Matrix 585C or 588C counter is listed in [Table 6-1](#). The critical parameters are the minimum use specifications required for the performance of the procedures, and are included to assist in the selection of alternative equipment. Satisfactory performance of alternative items should be verified prior to use. All applicable equipment must bear evidence of current calibration. For many of the following tests, a Phase Matrix 578B counter is used to source-lock the microwave sweeper, thus providing a stable source for testing. This combination may be replaced by a frequency synthesizer.

*Table 6-1. Equipment Requirements*

Description	Critical Parameters	Recommended Manufacturer	Model
Frequency Synthesizer	100 Hz to 10 MHz	Agilent	3325A
Synthesized Sweeper	10 MHz to 40 GHz	Agilent	83640B
Synthesized Sweeper	2 GHz to 20 GHz	Agilent	83624B
Source Locking Counter	10 MHz to 26.5 GHz	Phase Matrix	578B
Spectrum Analyzer	3 GHz to 18 GHz	Agilent	8566B



Table 6-1. Equipment Requirements (Continued)

Description	Critical Parameters	Recommended Manufacturer	Model
Power Meter	10 MHz to 60 GHz	Agilent	437B
Power Sensor	10 MHz to 18 GHz (-20 to +10 dBm)	Agilent	8481A
Power Sensor	950 MHz to 26.5 GHz (-20 to +10 dBm)	Agilent	8485A
Power Sensor	26.5 GHz to 40 GHz (-20 to +10 dBm)	Agilent	R8486A
Oscilloscope	100 Hz to 10 MHz	Tektronix	2445
Directional Coupler	950 MHz to 18 GHz	Narda	4226-10
Directional Coupler	18 GHz to 26.5 GHz	Narda	4017C-10
Pulse Generator	1 MHz	Wavetek	801
Pulse Modulator	1 GHz to 2 GHz	Agilent	8731B
Pulse Modulator	2 GHz to 18 GHz	Agilent	11720A
Pulse Modulator	18 GHz to 26.5 GHz	Narda	S214DS
3 dB Attenuator	950 MHz to 26.5 GHz	Weinschel	9-3
Cable Kit	—	Phase Matrix	590
Remote Sensor	26.5 to 40 GHz	Phase Matrix	091

## OPERATIONAL VERIFICATION TEST PROCEDURES

### BAND 0 RANGE AND SENSITIVITY TEST (CW ONLY)

#### DESCRIPTION

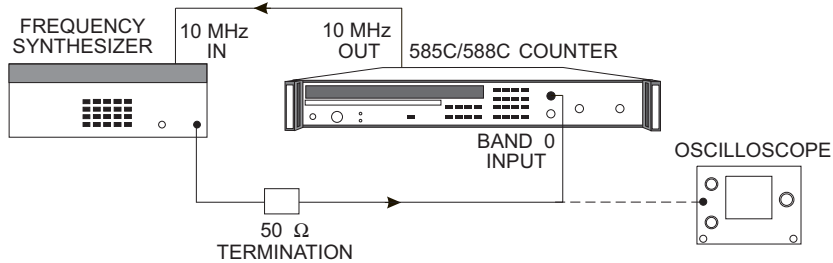
This test verifies counter operation from 100 Hz to 250 MHz at -20 dBm (0.063 V p-p into 50 Ω). The oscilloscope is used to set signal levels below 10 MHz, and the power meter is used to set signal levels at 10 MHz and above. Test setup 1 covers the frequency range from 100 Hz to 10 MHz and test setup 2 covers the range from 10 MHz to 250 MHz.

#### EQUIPMENT

- Frequency synthesizer (Agilent 3325A)
- Synthesized Sweeper (Agilent 83640B)
- Power meter (Agilent 437B)
- Power sensor (Agilent 8481A)
- Oscilloscope (Tektronix 2445)

**TEST SETUP 1****PROCEDURE**

1. Connect equipment as shown in Figure 6-1.

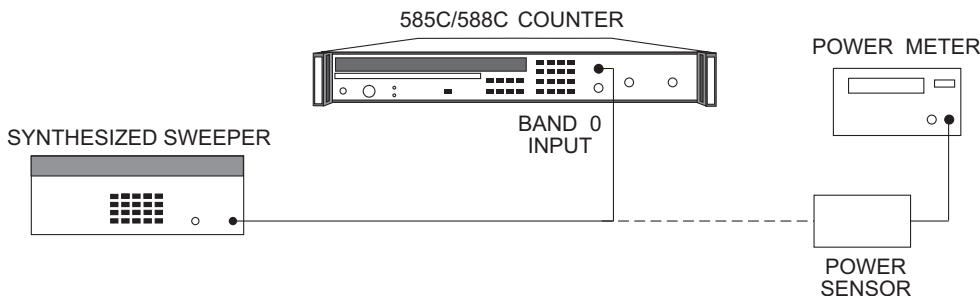


**Figure 6-1. Band 0 Range and Sensitivity Test Setup (100 Hz to 10 MHz)**

2. Set the 585C/588C counter to Band 0 and select resolution 2.
3. Set the output frequency from the synthesizer to 100 Hz.
4. Using the oscilloscope, set the output signal level from the synthesizer to 0.063 V p-p (–20 dBm).
5. Apply the 100 Hz signal to the counter, verify proper reading, and record the results.
6. Repeat steps 3, 4, and 5 at 1 kHz, 10 kHz, 100 kHz, 1 MHz, and 10 MHz.

**TEST SETUP 2****PROCEDURE**

1. Connect equipment as shown in Figure 6-2.



**Figure 6-2. Band 0 Range and Sensitivity Test Setup (100 MHz to 250 MHz)**

2. Set the 585C/588C counter to Band 0 and select resolution 3.
3. Set the synthesized sweeper to 100 MHz.
4. Using the power meter, set the output signal level from the synthesized sweeper to –20 dBm.
5. Apply the 100 MHz signal to the 585C/588C counter, verify proper reading, and record the results.
6. Repeat steps 3, 4, and 5 at 200 MHz and 250 MHz.



## BAND 1 RANGE AND SENSITIVITY TEST

### DESCRIPTION

This test verifies counter operation from 250 MHz to 1 GHz at  $-20$  dBm for both CW and simulated pulsed signals. The pulse generator is used to simulate a pulsed signal by applying a 50 ns TTL high with a 1 MHz repetition rate to the INHIBIT IN connector on the rear panel of the 585C/588C counter. The power meter is used to set signal levels.

### EQUIPMENT

- Synthesized Sweeper (Agilent 83640B)
- Power meter (Agilent 437B)
- Power sensor (Agilent 8481A)
- Pulse generator (Wavetek 801)
- Oscilloscope (Tektronix 2445)

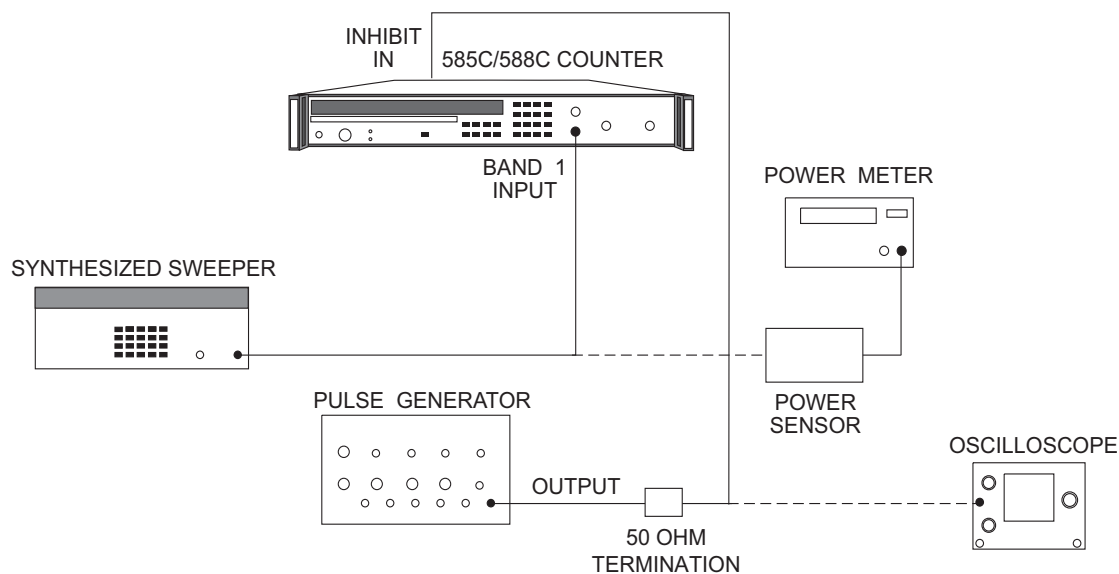


Figure 6-3. Band 1 Range and Sensitivity Test Setup

### PROCEDURE

1. Connect equipment as shown in Figure 6-3.
2. Set the 585C/588C counter to Band 1, and select resolution 3.
3. Set the synthesized sweeper to 250 MHz.
4. Using the power meter, set the output signal level from the synthesized sweeper to  $-20$  dBm.
5. Apply the 250 MHz signal to the counter, verify proper reading, and record the frequency reading.



6. Repeat steps 3, 4, and 5 at 300 MHz, 400 MHz, 500 MHz, 600 MHz, 700 MHz, 800 MHz, 900 MHz and 1 GHz.
7. Using the oscilloscope, set up the pulse generator to output a 50 ns wide TTL high signal with a 1 MHz pulse repetition rate. Apply the signal to the INHIBIT IN connector to simulate a pulsed signal.
8. Repeat steps 3, 4, 5, and 6 for the simulated pulsed signal and record the results.

## **BAND 2 RANGE AND SENSITIVITY TEST**

### *DESCRIPTION*

This test verifies counter operation from 1 to 20 GHz (26.5 GHz for the 588C counter). The first part of the test verifies operation in the CW mode. Next, the counter is tested in the pulse mode using the pulse modulators to modulate the microwave source. Attenuators are necessary on the input and output of the pulse modulators to reduce frequency pulling of the microwave source. To be able to accurately set the power level of the pulsed signal, it is necessary to compensate for the insertion loss of the pulse modulators by applying a constant enable signal to the pulse modulator and adjusting the sweeper at each test frequency until the output power from the modulator is at the required level.

### *EQUIPMENT*

- Synthesized Sweeper (Agilent 83640B)
- Power meter (Agilent 437B)
- Power sensor (Agilent 8485A)
- Pulse generator (Wavetek 801)
- Pulse modulator (Agilent 8731B)
- Pulse modulator (Agilent 11720A)
- Pulse modulator (Narda S214DS)
- Directional coupler (Narda 4226-10)
- Directional coupler (Narda 4017C-10)
- 3 dB attenuator (2) (Weinschel 9-3)



TEST SETUP 1

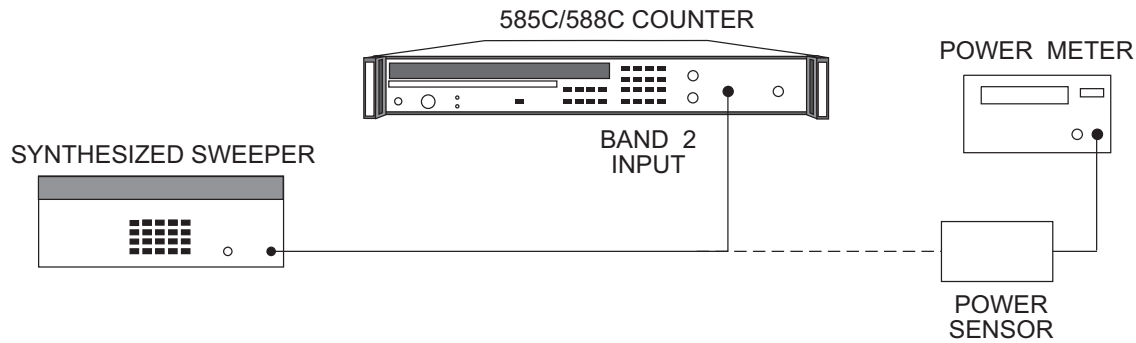


Figure 6-4. Band 2 CW Signal Range and Sensitivity Test Setup

PROCEDURE

1. Connect equipment as shown in Figure 6-4.
2. Set the 585C/588C counter to Band 2, and select resolution 3.
3. Set the synthesized sweeper to 1 GHz.
4. Using the power meter, set the output signal level from the synthesized sweeper to  $-20$  dBm.
5. Apply the 1 GHz signal to the 585C/588C counter, verify proper reading, and record the frequency reading.
6. Repeat steps 3, 4, and 5 at 3 GHz, 6 GHz, 10 GHz, 12.4 GHz (at  $-25$  dBm), 15 GHz, 18 GHz, and 20 GHz (at  $-20$  dBm). For Model 588C counters, also test at 22 GHz, 24 GHz, and 26.5 GHz (at  $-15$  dBm).

## TEST SETUP 2

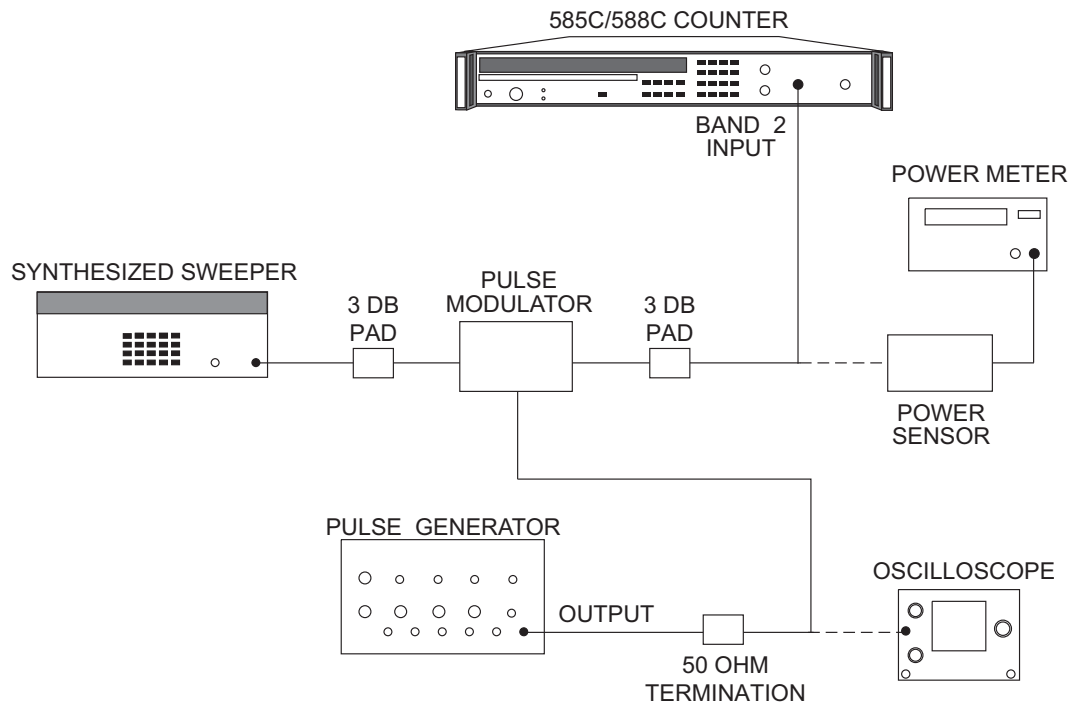


Figure 6-5. Band 2 Pulsed Signal Range and Sensitivity Test Setup

## PROCEDURE

For this test, three pulse modulators and two directional couplers are used. Use the devices that correspond to the frequency under test. See Table 5-1 for a listing of frequency ranges of the pulse modulators and directional couplers.

1. Connect equipment as shown in [Figure 6-5](#).
2. Set the 585C/588C counter to Band 2, and select resolution 3.
3. Using the oscilloscope, set the pulse generator to output a 100 ns wide TTL signal with a 1 MHz repetition rate. This signal is used to drive the pulse modulators.
4. Set the synthesized sweeper to 1 GHz.
5. Apply a constant enable signal from the pulse generator to the pulse modulator. Adjust the output power on the sweep generator until the power meter indicates the specified sensitivity level for the counter.
6. Apply the modulation drive from the sweep generator to the appropriate pulse modulator and connect the pulse modulated signal to the counter.
7. Verify that the counter counts the pulsed signal properly, and record the results.



- Repeat steps 4, 5, 6, and 7 at 3 GHz, 6 GHz, 10 GHz, 12.4 GHz, 15 GHz, 18 GHz, and 20 GHz. For Model 588C counters, change the pulse width from the modulator to 500 ns and test at 22 GHz, 24 GHz, and 26.5 GHz.

## BAND 2 AMPLITUDE DISCRIMINATION TEST

### DESCRIPTION

This test verifies that the counter accurately measures the larger of two signals differing in amplitude by 15 dB or more.

### EQUIPMENT

- Synthesized Sweeper (Agilent 83640B)
- Synthesized Sweeper (Agilent 83624B)
- Spectrum analyzer (Agilent 8566B)
- Power splitter (Agilent 11667B) (used as signal combiner)

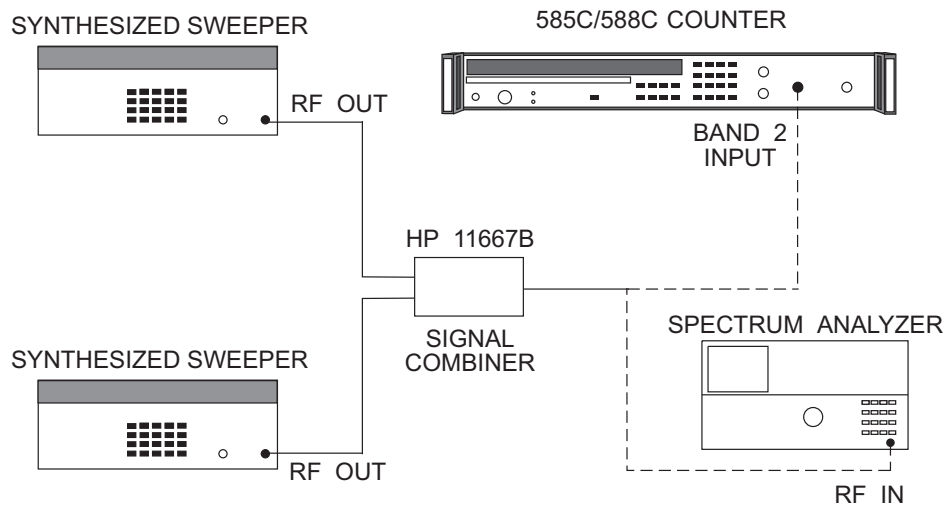


Figure 6-6. Band 2 Amplitude Discrimination Test Setup

### PROCEDURE

1. Connect equipment as shown in Figure 6-6.
2. Set signal generator 1 to 3.0 GHz at 0 dBm and set signal generator 2 to 3.1 GHz at +6 dBm.
3. Using the spectrum analyzer, adjust the generator power levels so that the signal amplitude difference is 15 dB.
4. Verify that the counter correctly measures the frequency of the higher power signal source.
5. Repeat steps 2, 3, and 4 at the following signal generator 1 and signal generator 2 frequencies: 6 and 6.1 GHz, 12 and 12.1 GHz, 17.9 and 18 GHz.

## BAND 3 SUBBAND 1 RANGE AND SENSITIVITY TEST (588C OPTION 5804 ONLY)

### DESCRIPTION

This test verifies counter operation from 26.5 GHz to 40 GHz at  $-20$  dBm for both CW and simulated pulsed signals. The pulse generator is used to simulate a pulsed signal by applying a 50 ns TTL high with a 1 MHz repetition rate to the INHIBIT IN connector on the rear panel of the counter. The power meter is used to set signal levels.

### EQUIPMENT

- Synthesized Sweeper (Agilent 83640B)
- Power meter (Agilent 437B)
- Power sensor (Agilent R8486A)
- Pulse generator (Wavetek 801)
- Oscilloscope (Tektronix 2445)
- Remote sensor (Phase Matrix 091)
- Cable kit (Phase Matrix 890)

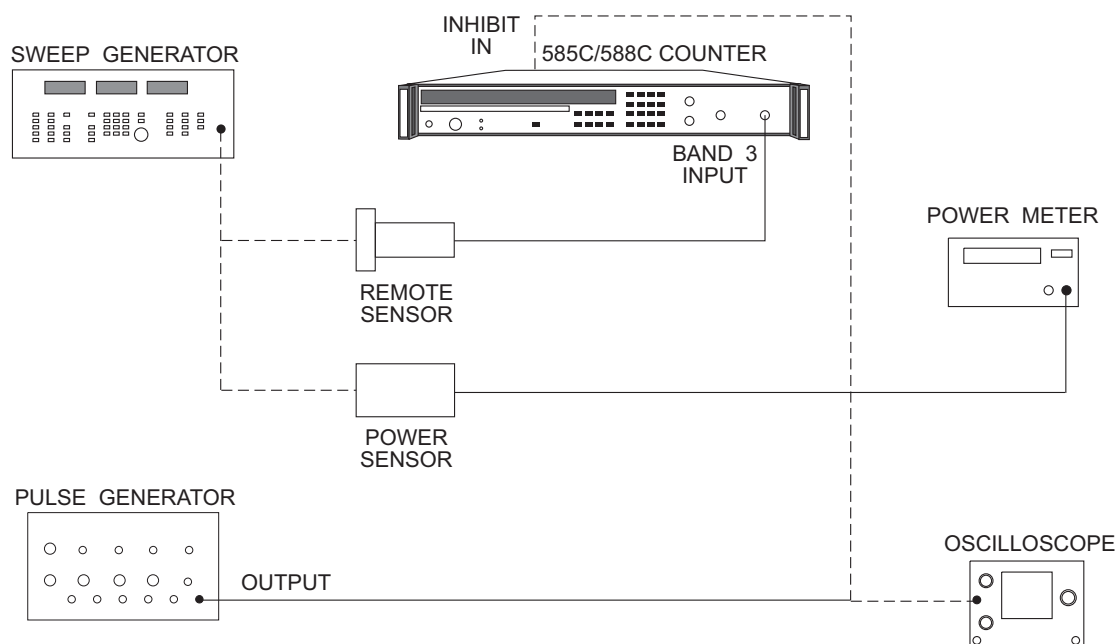


Figure 6-7. Band 3 Range and Sensitivity Test Setup (Model 588C Option 5804 Only)

### PROCEDURE

1. Connect equipment as shown in Figure 6-7.
2. Set the 585C/588C counter to Band 3, sub-band 1, and resolution 3.
3. Set the output frequency from the synthesized sweeper to 26.5 GHz.



4. Using the power meter, set the output signal level from the sweeper to  $-20$  dBm.
5. Apply the 26.5 GHz signal to the remote sensor, verify proper reading, and record the results.
6. Repeat steps 3, 4, and 5 at 30 GHz, 35 GHz, and 40 GHz.
7. Set up the pulse generator to output a 50 ns wide TTL high signal with a 1 MHz repetition rate and apply the signal to the INHIBIT IN connector on the rear panel of the counter. This signal gates signal threshold inside the counter and is used to simulate a pulsed signal.
8. Repeat steps 3, 4, 5, and 6 for the simulated pulsed signal and record the results.

# OPERATIONAL TEST RECORD

MODEL \_\_\_\_\_ SERIAL NO. \_\_\_\_\_ DATE \_\_\_\_\_

BAND 0 FREQUENCY RANGE AND SENSITIVITY TEST (100 Hz TO 250 MHz CW ONLY)					
FREQ.	CW READINGS	FREQ.	CW READINGS	FREQ.	CW READINGS
100 Hz	_____	100 kHz	_____	100 MHz	_____
1 kHz	_____	1 MHz	_____	200 MHz	_____
10 kHz	_____	10 MHz	_____		

BAND 1 FREQUENCY RANGE, SENSITIVITY, AND POWER TEST (250 MHz TO 1 GHz)					
FREQ.	CW READINGS	PULSE READINGS	FREQ.	CW READINGS	PULSE READINGS
250 MHz	_____	_____	700 MHz	_____	_____
300 MHz	_____	_____	800 MHz	_____	_____
400 MHz	_____	_____	900 MHz	_____	_____
500 MHz	_____	_____	1 GHz	_____	_____
600 MHz	_____	_____			

BAND 2 FREQUENCY RANGE, SENSITIVITY, AND POWER TEST (1 GHz TO 20/26.5 GHz)					
FREQ.	CW READINGS	PULSE READINGS	FREQ.	CW READINGS	PULSE READINGS
1 GHz	_____	_____	15 GHz	_____	_____
3 GHz	_____	_____	18 GHz	_____	_____
6 GHz	_____	_____	20 GHz	_____	_____
10 GHz	_____	_____	(588C)		
12.4 GHz	_____	_____	22 GHz	_____	_____
			24 GHz	_____	_____
			26.5 GHz	_____	_____

BAND 2 AMPLITUDE DISCRIMINATION TEST (CONDITIONS: F1 > F2 BY 15 dB OR MORE)			
F1	F2	PASS	FAIL
3 GHz	3.1 GHz	_____	_____
6 GHz	6.1 GHz	_____	_____
12 GHz	12.1 GHz	_____	_____
17.9 GHz	18 GHz	_____	_____

BAND 3-1 FREQUENCY RANGE AND SENSITIVITY TEST (26.5 GHz TO 40 GHz) 588C WITH OPTION 5804 ONLY					
FREQ.	CW READINGS	PULSE READINGS	FREQ.	CW READINGS	PULSE READINGS
26.5 GHz	_____	_____	35 GHz	_____	_____
30 GHz	_____	_____	40 GHz	_____	_____



*Phase Matrix, Inc.*<sup>TM</sup>

**585C & 588C**

---

This Page Intentionally Left Blank